

ABOUT RIDEX

About the Company	4
Quality and Certification	5
Top Car Parts Categories	6
Vehicle Compatibility	7
Active Product Categories & SKUs	8

BRAKE SYSTEM

Brake Disc	12
Brake Pads	14
Brake Set, Disc Brakes	17
Brake Caliper	18

SUSPENSION

Shock Absorbers	21
Wheel Bearing Kit	24

FILTERS

Cabin Filter	27
Air Filter	28
Fuel Filter	30
Oil Filter	32

DAMPING/SPINGS

Coil Spring	35
-------------	----

CLUTCH

Clutch Kit	37
------------	----

SENSORS

MAF Sensor	39
Sensor, Wheel speed	41

WINDOW CLEANING SYSTEM

Wiper Blade	44
-------------	----

BODY

Boot/Tailgate Gas Spring	46
Bonnet Gas Spring	47

ENGINE

Alternator	50
Starter	53
Engine Cooling Radiator	56
Ignition Coil	58
Lambda Sensor	60

HVAC SYSTEM

Air Conditioning Compressor	64
-----------------------------	----

STEERING

Hydraulic Pump, Steering System	68
Tie Rod End	69

Become a RIDEX Dealer	71
-----------------------	----

RIDEX is a German-based auto parts and accessories company established in 2016. In just 7 years we have sold over 35 million items to over 6.7 million customers in more than 65 countries around the world.

The RIDEX portfolio has over 450 product categories that include more than 40,000 articles produced at certified factories in Europe and Asia under three brands – RIDEX, RIDEX PLUS, and RIDEX REMAN.

95,000+ m²

warehouse space*

40,000+

articles available

€ 150,000,000+

turnover in 2022

6,700,000+

customers

*Total space in AUTODOC's warehouse facilities

SOLD IN 65+ COUNTRIES

around the world



 **All the parts you need**

From basic to advanced, from sustainability to performance – we've got the right parts for every need.

 **Quality guaranteed**

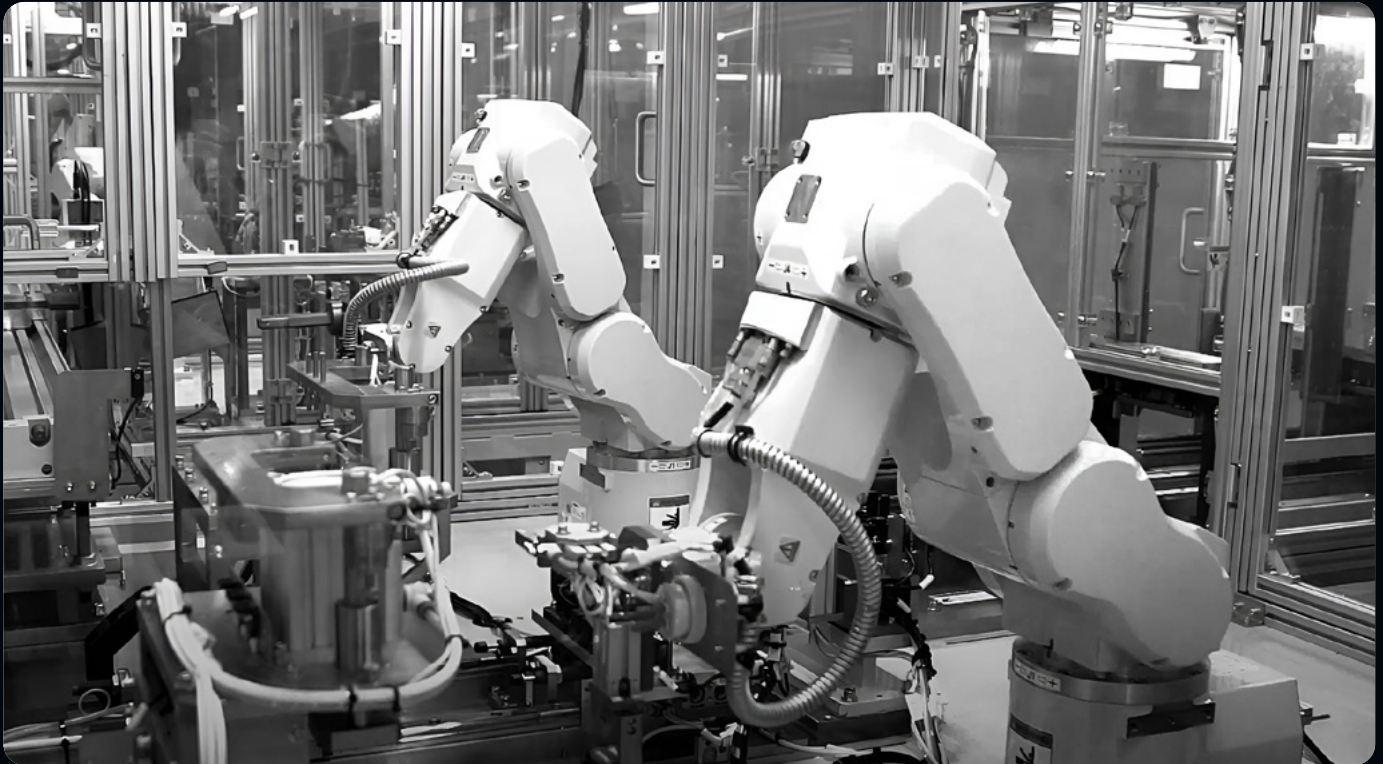
Laboratory-tested parts from certified factories only.

 **Excellent price**

Great prices on reliable parts certified as per international standards.

 **Dedicated service**

Your personal account manager and customer support are always there for you.



LABORATORY-TESTED PARTS FROM CERTIFIED FACTORIES ONLY

We use only the highest quality materials, sourced from our reliable suppliers, and the most advanced technology to achieve the best results.

Our entire product line is tested to rigorous performance and durability standards specific to each vehicle and handling profile.

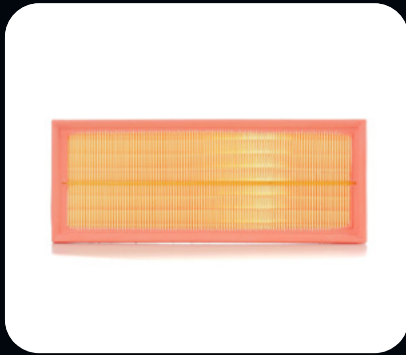
THE FACTORIES WE WORK WITH MEET BOTH NATIONAL AND INTERNATIONAL STANDARDS:



*To get a full list of these standards, please contact us via the request form or ask your account manager.

TOP CAR PARTS CATEGORIES

- 1. Air Filter - 644 SKUs
- 2. Brake Disc - 1441 SKUs
- 3. Brake Pad Set - 1248 SKUs
- 4. Coil Spring - 691 SKUs
- 5. Fuel Filter - 265 SKUs
- 6. Oil Filter - 222 SKUs
- 7. Shock Absorber - 2113 SKUs
- 8. Joint Kit, Drive Shaft - 411 SKUs
- 9. Wiper Blade - 438 SKUs
- 10. Condenser, Air Conditioning - 365 SKUs

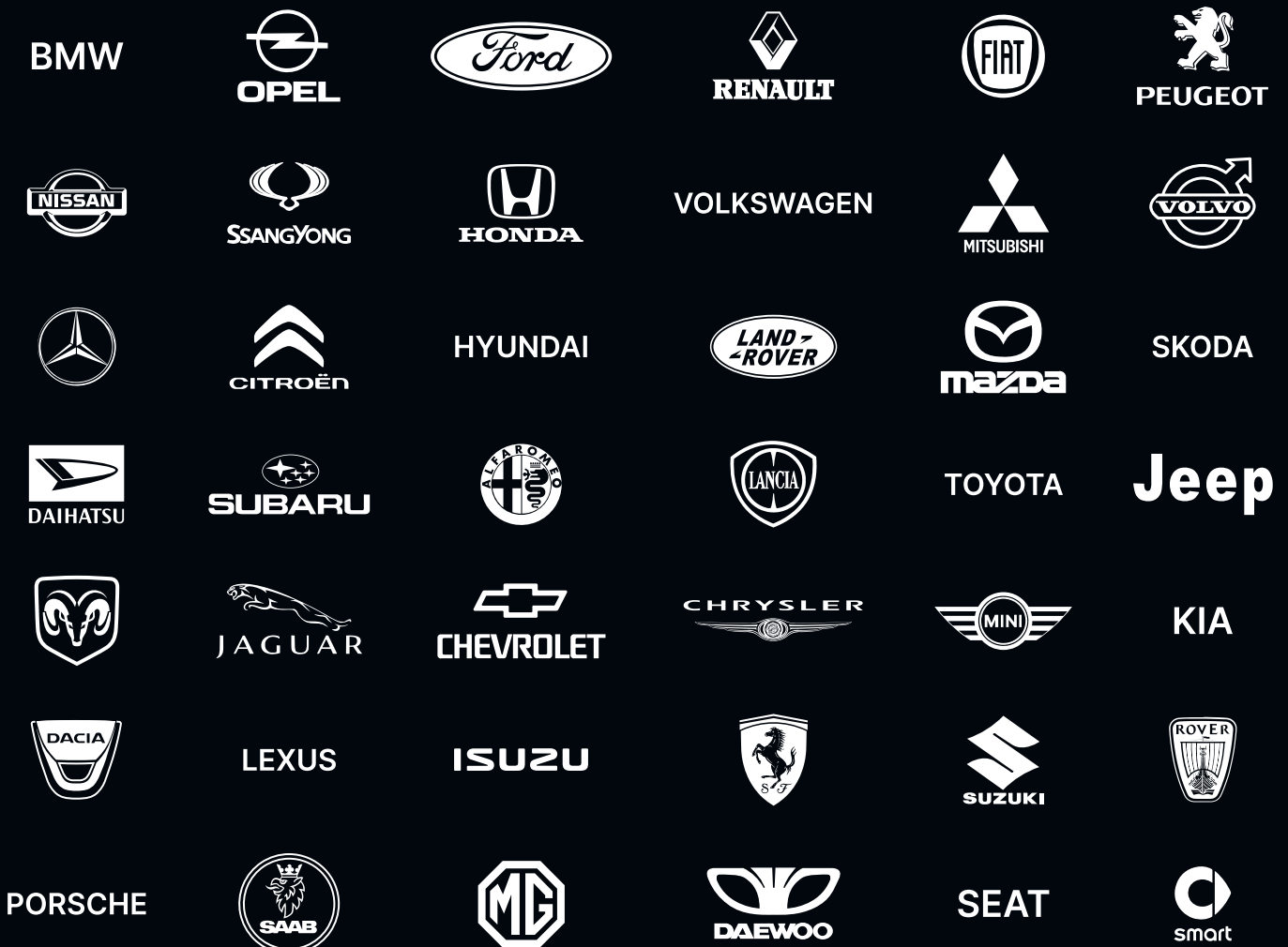


40,000+ SKUs IN MORE THAN 450 CATEGORIES



RIDEX auto parts are compatible with over 95% of European cars. RIDEX GmbH operates with warehouses located in Germany, Poland and Czech Republic, which allows us to guarantee delivery times and stock availability. With flexible pricing and dedicated service support, you can run your business smoothly and sustainably.

RIDEX offers parts for most of the popular car brands, including:



ACTIVE PRODUCT CATEGORIES & SKUs

CATEGORY	NUMBER OF SKU	CATEGORY	NUMBER OF SKU
Shock Absorber	2113	Timing Chain Kit	242
Brake Disc	1441	Timing Belt	230
Suspension arm	1338	Wing mirror	226
Brake pad set	1248	Oil Filter	222
Sensor, wheel speed	1197	Intercooler	222
Brake Caliper	1093	Tensioner Pulley, v-ribbed belt	214
Alternator	1027	Rod Assembly	208
Wheel Bearing Kit	874	Interior Blower	207
Turbocharger	874	Floor mat set	207
Tailgate strut	869	Warning Contact, brake pad wear	195
Brake disc and pads set	773	Gasket, cylinder head	194
Drive Shaft	731	Brake Drum	194
Engine radiator	708	Filter kit	193
Lambda Sensor	702	Sensor, camshaft position	191
Coil Spring	691	CHRA turbo	188
Anti roll bar link	677	High pressure fuel pump	187
Air Filter	644	Engine thermostat	186
Brake Hose	605	Gasket, cylinder head cover	185
Track rod end	558	Wiper Arm, windscreen washer	184
Pollen filter	548	Steering Gear	180
Starter motor	522	EGR Valve	178
Window Regulator	511	Dust Cover Kit, shock absorber	167
Water Pump	499	Ignition Cable Kit	163
Wiper Blade	438	Wet Sump	158
V-ribbed belt	435	Fuel Pump	154
Cable, parking brake	412	Timing belt kit	154
Joint Kit, drive shaft	411	Gas Spring, bonnet	149
Top strut mount	409	Timing belt tensioner pulley	149
Engine mount	401	Glow Plug	149
V-Ribbed Belt Set	387	Door Lock	146
Ball Joint	386	Wiper Motor	145
Compressor, air conditioning	382	Luggage compartment / cargo tray	132
Control Arm- / Trailing Arm Bush	375	Anti roll bar bush	130
Clutch Kit	366	Expansion Tank, coolant	128
Condenser, air conditioning	365	Repair Kit, brake caliper	124
Injector Nozzle	347	Wheel Brake Cylinder	121
Ignition Coil	337	Parking sensor	119
Mass air flow sensor	333	Throttle body	117
Fuel Feed Unit	304	Mirror Glass, outside mirror	113
Sensor, crankshaft pulse	301	Stub Axle, wheel suspension	113
Tie Rod Axle Joint	294	Wheel Hub	111
Catalytic Converter	290	Fan, radiator	111
Brake Shoe Set	266	Control Unit, heating / ventilation	110
Power steering pump	266	Door Handle	108
Fuel filter	265	Spark Plug	104
Sensor, exhaust gas temperature	262	Oil Cooler, engine oil	104
Splash Panel, brake disc	257	Belt Pulley, crankshaft	103
Charger Intake Hose	254	Bellow, driveshaft	103
Water pump and timing belt kit	245	Master Cylinder, clutch	102
Control arm repair kit	243	Gasket, exhaust manifold	102

CATEGORY	NUMBER OF SKU	CATEGORY	NUMBER OF SKU
Injector	99	Finger Follower, engine timing	44
Sensor, coolant temperature	96	Steering rack gaiter	44
Oil Pump	95	Repair Kit, stabilizer coupling rod	44
Heat Exchanger, interior heating	93	Anti-Friction Bearing, suspension strut support mounting	43
Clutch, radiator fan	87	Seat cover	43
Alternator Freewheel Clutch	84	Guide Sleeve Kit, brake caliper	42
V-Belt	81	Accessory Kit, brake shoes	42
Timing belt deflection pulley	81	Belt Tensioner, v-ribbed belt	41
Deflection / Guide Pulley, v-ribbed belt	78	Bolt	41
Intake manifold pressure sensor	77	Magnetic Clutch, air conditioner compressor	41
Valve, engine block breather	76	Sensor, throttle position	40
Gasket Set, cylinder head cover	75	Piston, brake caliper	40
Sensor, boost pressure	73	Coolant Flange	40
Switch, window regulator	73	Flex Hose, exhaust system	40
Air suspension strut	73	Rocker cover	39
Brake Master Cylinder	71	Distributor Cap	38
Joint, propshaft	70	Oil Dipstick	38
Gasket Set, cylinder head	69	Brake Set, drum brakes	37
Sensor, fuel pressure	69	Indicator	36
Wiper Linkage	68	Camshaft Adjuster	36
Cover, outside mirror	68	Clutch Disc	35
Steering Column Switch	67	Camshaft adjustment valve	33
Tappet	66	Water Pump + V-Ribbed Belt Kit	33
Air Spring, suspension	66	Sensor, engine oil level	32
Car air freshener	66	Flywheel	32
Central Slave Cylinder, clutch	61	Pressure Control Valve, common rail system	32
Bolt Kit, cylinder head	61	Rubber Buffer, suspension	32
Cable, manual transmission	57	Full Gasket Set, engine	31
Suspension Kit, coil springs	57	Sensor, Xenon light (headlight range adjustment)	31
Slave Cylinder, clutch	56	Repair Kit, wheel suspension	31
Resistor, interior blower	56	Sensor Ring, ABS	30
Clutch Cable	53	Carrier, brake caliper	30
Sensor, exhaust pressure	53	Water Pump, parking heater	30
Gasket, intake manifold	53	Releaser	30
Intake pipe, air filter	52	Bolt and Nut Kit	29
Wheel Sensor, tyre pressure control system	51	Piston Ring Kit	28
Alternator Regulator	51	Shaft Seal, crankshaft	27
Mounting, axle beam	51	Hose, fuel overflow	27
NOx Sensor, NOx Catalyst	51	Brake Light Switch	26
Accessory Kit, disc brake pads	48	Switch, reverse light	26
Crankcase breather hose	48	Tensioner Lever, v-ribbed belt	25
Propshaft bearing	48	Tailgate Lock	25
Knock Sensor	47	Protective Cap / Bellow, shock absorber	24
Idle Control Valve, air supply	47	Pressure Converter, exhaust control	24
Pressure converter, turbocharger	47	Control Valve, fuel quantity (common rail system)	24
Wheel covers	47		
Gasket, wet sump	46		
Camshaft	45		
Brake vacuum pump	45		

ACTIVE PRODUCT CATEGORIES & SKUs

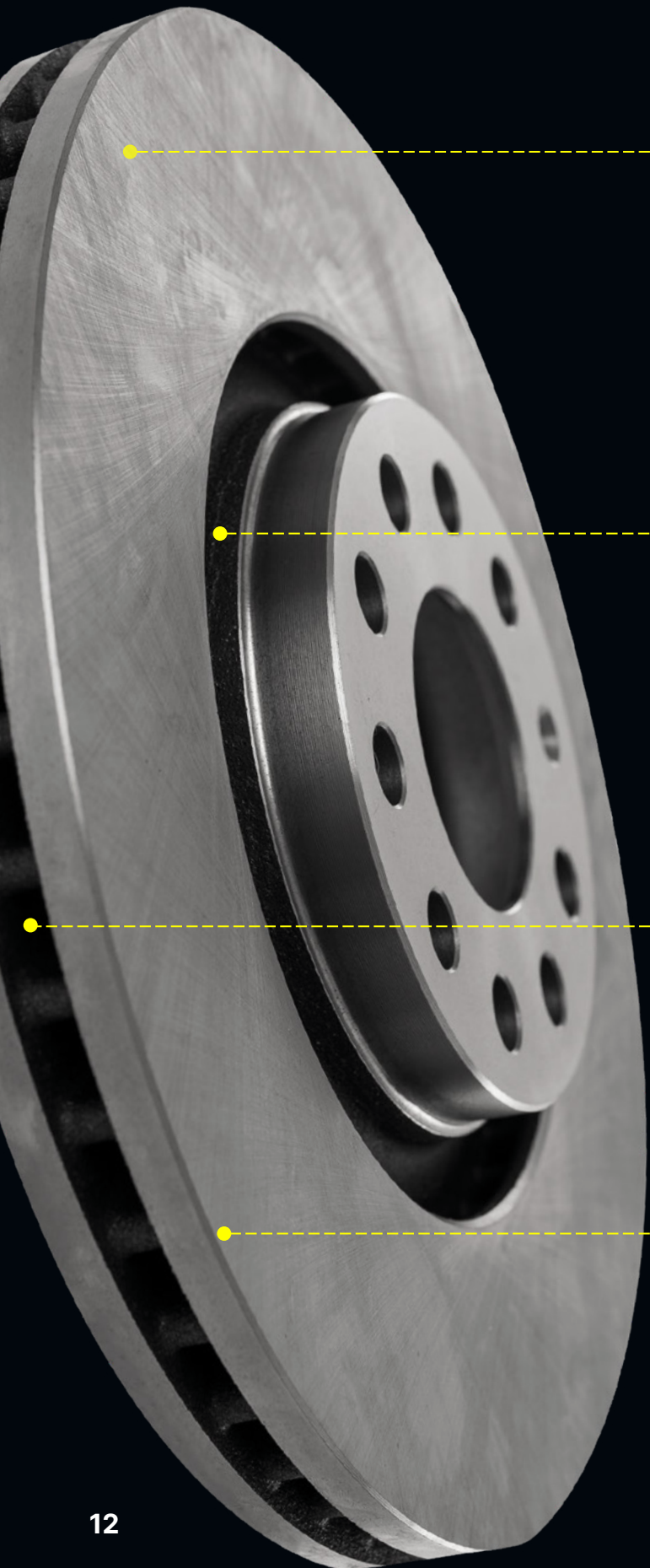
CATEGORY	NUMBER OF SKU	CATEGORY	NUMBER OF SKU
Water Pump, window cleaning	23	Link Set, wheel suspension	12
Sealing Cap, coolant tank	23	Automatic transmission oil pan	11
Gas Spring, rear windscreen	23	Hazard Light Switch	11
Wind deflectors	23	Ballast, gas discharge lamp	11
Tensioner, timing chain	22	Control Valve, fuel pressure	11
EGR Module	22	Inlet valve	11
Radiator Hose	21	Bellow Set, drive shaft	10
Lock Cylinder	21	Shock Absorber, steering	10
Bulb, spotlight	21	Mounting, manual transmission	10
Air suspension compressor	21	Shaft Oil Seal	10
Seal Set, valve stem	20	Track widening	10
Oil Pressure Switch	20	Secondary Air Pump	10
Temperature Switch, radiator fan	20	Water bottle	10
Middle- / End Silencer	20	Clutch Pressure Plate	9
Suspension Kit, shock absorber	20	Dryer, air conditioning	9
Brake Shoe Set, parking brake	19	Rotor, distributor	9
Pressure Switch, air conditioning	19	Intake air control valve	9
Hydraulic Filter Set, automatic trans- mission	19	Inlet manifold	9
Hydraulic Hose, steering system	19	Oil filter housing	9
Repair Kit, stabilizer suspension	19	Timing Case	9
Steering wheel cover	19	Snow chains	9
Sensor, speed	18	Diverter Valve, charger	8
Control, central locking system	18	Accelerator Cable	8
Coil, magnetic-clutch compressor	18	Pre-resistor, electro motor radiator fan	8
Exhaust Pipe	18	Switch, headlight	8
Steering Angle Sensor	17	EGR cooler	8
Accessory Kit, parking brake shoes	17	Bluetooth headset	8
Repair Kit, suspension strut	17	Delivery Module, urea injection	8
Washer Fluid Jet, windscreen	17	Seal, oil drain plug	7
Attachment Set, polisher	17	Funnel, oil dipstick	7
Mounting Kit, charger	16	Gasket, timing case	7
Fitting, intake manifold	15	Wheel Nut	7
Car phone holder	15	Chain Set, oil pump drive	7
Spring Cap	15	Engine Cover	7
Ignition- / Starter Switch	15	Vehicle cover	7
Control Unit, door actuation	15	Outlet valve	6
Gasket Set, intake manifold	14	Release Fork, clutch	6
Sealing Plug, oil sump	14	Oil Trap, crankcase breather	6
Wheel Bolt	14	Cooler Module	6
Starter Battery	14	Fuel tank breather valve	6
Particulate filter	14	Switch Unit, ignition system	6
Mudflap	14	Luggage compartment / cargo bed liner	6
Gear Lever Knob	14	Guides, timing chain	6
Heater control valve	13	Aerial	6
Washer Fluid Jet, headlight cleaning	13	Boot organiser	6
Brake Booster	12	Door Seal	6
Evaporator, air conditioning	12	Gear Lever Gaiter	6
Oil Pipe, charger	12	Ambient temperature sensor	5
Adjuster, drum brake	12	Guide Bolt, brake caliper	5

BRAKE SYSTEM

- Brake Disc
- Brake Pads
- Brake Set, disc brakes
- Brake Caliper



BRAKE DISC



1. State-of-the-art metallurgy

Thanks to the high-tech casting process, the material surface is highly homogeneous. Some disc types include anti-corrosion coating.

2. Cooling channel

Allows heat to flow to the disc ventilation chamber.

Helps dissipate heat, prevent vibration, and improve performance.

3. Ventilaton

Pillars, straight vanes, or curved vanes (right/left) optimise heat dissipation.

4. Laser marking

TOP SELLING SKUs



Article No. 82B0004

Brake Disc
Front Axle, Vented

OEM NUMBER COMPATIBILITY			PASSENGER CAR BRANDS
1J0615301D — AUDI	6R0615301C — SEAT	8Z0615301D — SKODA	AUDI SEAT SKODA VW
1J0615301L — AUDI	6RF615301A — SEAT	JZW615301N — SKODA	
1JE615301 — AUDI	8D0615301B — SEAT	1J0615301D — VW	
6R0615301 — AUDI	8Z0615301B — SEAT	1J0615301L — VW	
6R0615301C — AUDI	8Z0615301D — SEAT	1JE615301 — VW	
6RF615301A — AUDI	JZW615301N — SEAT	6R0615301 — VW	
8D0615301B — AUDI	1J0615301D — SKODA	6R0615301C — VW	
8Z0615301B — AUDI	1J0615301L — SKODA	6RF615301A — VW	
8Z0615301D — AUDI	1JE615301 — SKODA	8D0615301B — VW	
JZW615301N — AUDI	6R0615301 — SKODA	8Z0615301B — VW	
1J0615301D — SEAT	6R0615301C — SKODA	8Z0615301D — VW	
1J0615301L — SEAT	6RF615301A — SKODA	JZW615301N — VW	
1JE615301 — SEAT	8D0615301B — SKODA		
6R0615301 — SEAT	8Z0615301B — SKODA		



Article No. 82B0027

Brake Disc
Front Axle, Vented

OEM NUMBER COMPATIBILITY		PASSENGER CAR BRANDS
1K0 615 301 AC - VAG	5C0 615 301 - VAG	AUDI SEAT SKODA VW
1K0 615 301 AK - VAG	JZW 615 301 A - VAG	
1K0 615 301 AS - VAG	1K0615301AQ - VW	
1K0 615 301 S - VAG		

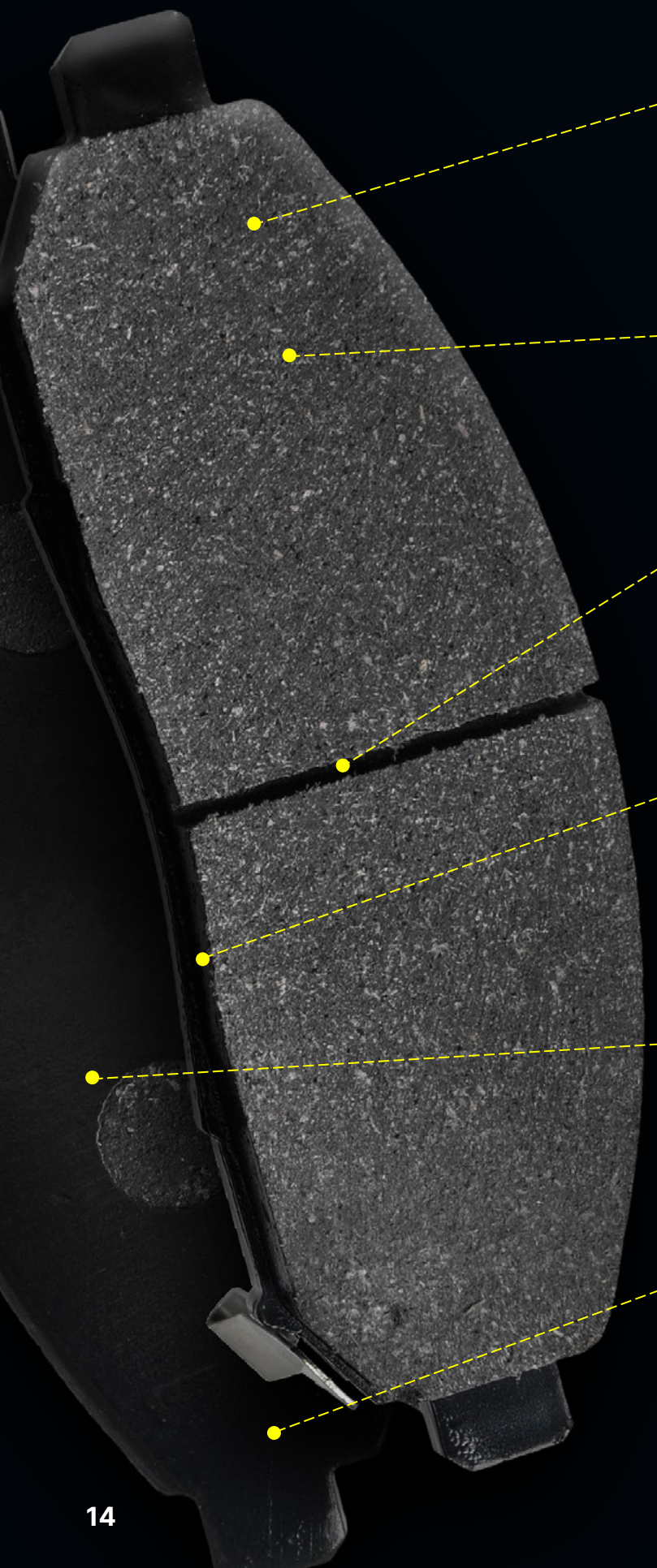


Article No. 82B0031

Brake Disc
Front Axle, Vented

OEM NUMBER COMPATIBILITY			PASSENGER CAR BRANDS
1K0 615 301 AA — SEAT	5Q0 615 301 F — SKODA	5C0 615 301 B — VAG	AUDI SEAT SKODA VW
5Q0 615 301 F — SEAT	JZW 615 301 H — SKODA	5Q0 615 301 F — VAG	
JZW 615 301 H — SEAT	1K0 615 301 AA — VAG	JZW 615 301 H — VAG	
1K0 615 301 AA — SKODA			

BRAKE PADS



1. Compliance with original manufacturer's specifications

Easy to install
Coating for improved performance

2. Chamfer

Higher comfort level
Longer lifespan
Less noise and vibration

3. Slotting

Quick draining of water and brake dust
Additional cooling of the friction material
Less noise and vibration

4. Heat and wear resistant adhesive

Reliability at every stage
of manufacturing
Confident braking every time

5. High quality powder coating

Protection against corrosion
of the backing plate
Easy to remove at the end of the service life

6. Multilayer organic noise insulating shim

Noise level reduction
Increased pad lifespan

TOP SELLING SKUs



Article No. 402B0029

Brake Pad Set, disc brake
not prepared for wear indicator, with brake caliper screws

OEM NUMBER COMPATIBILITY			PASSENGER CAR BRANDS
1E0698451 — AUDI	5Q0698451A — AUDI	1205557 — FORD	AUDI
1E0698451B — AUDI	5Q0698451E — AUDI	1343514 — FORD	CITROËN
1E0698451C — AUDI	5Q0698451G — AUDI	1345340 — FORD	DS
1E0698451D — AUDI	5Q0698451M — AUDI	5M212M008CA — FORD	FIAT
1E0698451E — AUDI	6R0698451 — AUDI	5M2J2M008CA — FORD	FORD
1E0698451G — AUDI	7M0698451 — AUDI	95WX2M008BA — FORD	HONDA
1H0615415 — AUDI	7M3698451A — AUDI	YM212M008CA — FORD	LANCIA
1H0615415A — AUDI	8D0698451 — AUDI	71773148 — LANCIA	NISSAN
1H0615415D — AUDI	8E0698451 — AUDI	9404252328 — LANCIA	OPEL
1H0698451 — AUDI	8E0698451A — AUDI	1607083280 — PEUGEOT	PEUGEOT
1H0698451A — AUDI	8E0698451K — AUDI	1608520380 — PEUGEOT	RENAULT
1H0698451D — AUDI	8EA698451 — AUDI	1608681580 — PEUGEOT	SEAT
1J0698451 — AUDI	JZW698451 — AUDI	1611456380 — PEUGEOT	SKODA
1J0698451B — AUDI	JZW698451A — AUDI	1616872680 — PEUGEOT	VAUXHALL
1J0698451C — AUDI	JZW698451C — AUDI	1619790680 — PEUGEOT	VW
1J0698451D — AUDI	1607083280 — CITROËN	425223 — PEUGEOT	
1J0698451E — AUDI	1608520380 — CITROËN	425232 — PEUGEOT	
1J0698451F — AUDI	1608681580 — CITROËN	425233 — PEUGEOT	
1J0698451G — AUDI	1609252880 — CITROËN	425241 — PEUGEOT	
1J0698451H — AUDI	1611456380 — CITROËN	425396 — PEUGEOT	
1J0698451J — AUDI	1617250180 — CITROËN	425420 — PEUGEOT	
1J0698451K — AUDI	425223 — CITROËN	425428 — PEUGEOT	
1J0698451L — AUDI	425232 — CITROËN	425441 — PEUGEOT	
1J0698451M — AUDI	425233 — CITROËN	425467 — PEUGEOT	
1J0698451N — AUDI	425241 — CITROËN	4254C1 — PEUGEOT	
1J0698451P — AUDI	425396 — CITROËN	4254C5 — PEUGEOT	
1J0698451R — AUDI	425420 — CITROËN	E172204 — PEUGEOT	
1J0698451S — AUDI	425428 — CITROËN	E172281 — PEUGEOT	
1K0698451A — AUDI	425441 — CITROËN	573032S — RELY	
1K0698451C — AUDI	425467 — CITROËN	440606418R — RENAULT	
1K0698451J — AUDI	4254C1 — CITROËN	1E0698451 — SEAT	
1K0698451M — AUDI	4254C5 — CITROËN	1E0698451B — SEAT	
3B0698451 — AUDI	E172204 — CITROËN	1E0698451C — SEAT	
3B0698451A — AUDI	E172281 — CITROËN	1E0698451D — SEAT	
4B0698451 — AUDI	573005S — DMB	1E0698451E — SEAT	
4B0698451B — AUDI	71773148 — FIAT	1E0698451G — SEAT	
4B0698451E — AUDI	9404252328 — FIAT	1H0615415 — SEAT	
4D0698451C — AUDI	9467529088 — FIAT	1H0615415A — SEAT	
4D0698451D — AUDI	9467648988 — FIAT	1H0615415D — SEAT	
4D0698451E — AUDI	1001096 — FORD	1H0698451 — SEAT	
5C0698451 — AUDI	1027640 — FORD	1H0698451A — SEAT	
5C0698451A — AUDI	1027650 — FORD	1H0698451D — SEAT	
5C0698451B — AUDI	1029782 — FORD	1J0698451 — SEAT	
5C0698451C — AUDI	1115107 — FORD	1J0698451B — SEAT	



Article No. 402B0033

Brake Pad Set, disc brake
incl. wear indicator

OEM NUMBER COMPATIBILITY			PASSENGER CAR BRANDS
1K0 698 151 A — AUDI	1K0 698 151 F — VAG	1K0 698 151 A — VW	AUDI SEAT SKODA VW
1K0 698 151 F — AUDI	1K0 698 151 G — VAG	1K0 698 151 F — VW	
1J0 698 151 D — VAG	1K0 698 151 J — VAG	1K0 698 151 F — VW (FAW)	
1J0 698 151 E — VAG	1KD 698 151 F — VAG	1KD 698 151 F — VW (FAW)	
1J0 698 151 F — VAG	6RD 698 151 B — VAG	L1J0 698 151 D — VW (FAW)	
1J0 698 151 G — VAG	L1J0 698 151 D — VAG	L1K0 698 151 F — VW (FAW)	
1K0 698 151 A — VAG	L1KD 698 151 — VAG	L1KD 698 151 — VW (FAW)	
1K0 698 151 D — VAG	L1KD 698 151 F — VAG	L1KD 698 151 F — VW (FAW)	



Article No. 402B0019

Brake Pad Set, disc brake
Front Axle

OEM NUMBER COMPATIBILITY		PASSENGER CAR BRANDS
1J0615115 — AUDI	6C0698151 — SKODA	AUDI SEAT SKODA VW
1J0698151 — AUDI	6Q0698151 — SKODA	
1JE698151B — AUDI	6R0698151A — SKODA	
1S0698151 — AUDI	6RD698151A — SKODA	
1S0698151A — AUDI	JZW698151A — SKODA	
1S0698151B — AUDI	1J0615115 — VW	
5C0698151A — AUDI	1J0698151 — VW	
6C0698151 — AUDI	1JE698151B — VW	
6Q0698151 — AUDI	1S0698151 — VW	
6R0698151A — AUDI	2Q0698151A — VW	
6RD698151A — AUDI	5C0698151A — VW	
JZW698151A — AUDI	5Z0698151A — VW	
1J0615115 — SKODA	6C0698151 — VW	
1J0698151 — SKODA	6Q0698151 — VW	
1JE698151B — SKODA	6R0698151A — VW	
1S0698151 — SKODA	6RD698151A — VW	
5C0698151A — SKODA	JZW698151A — VW	
5Z0698151A — SKODA	180698151 — VW (FAW)	
5Z0698151B — SKODA		

BRAKE SET, DISC BRAKES

TOP SELLING SKUs



Article No. 3405B0002

Brake Set, disc brakes

Rear Axle, Brake Disc Type: Solid, w/o wear indicator

PASSENGER CAR BRANDS

AUDI

SEAT

SKODA

VW



Article No. 3405B0008

Brake Set, disc brakes

Front Axle, Brake Disc Type: Vented, incl. wear warning contact

PASSENGER CAR BRANDS

AUDI

SEAT

SKODA

VW



Article No. 3405B0014

Brake Set, disc brakes

Front Axle, Brake Disc Type: Vented

PASSENGER CAR BRANDS

CITROËN

DS

OPEL

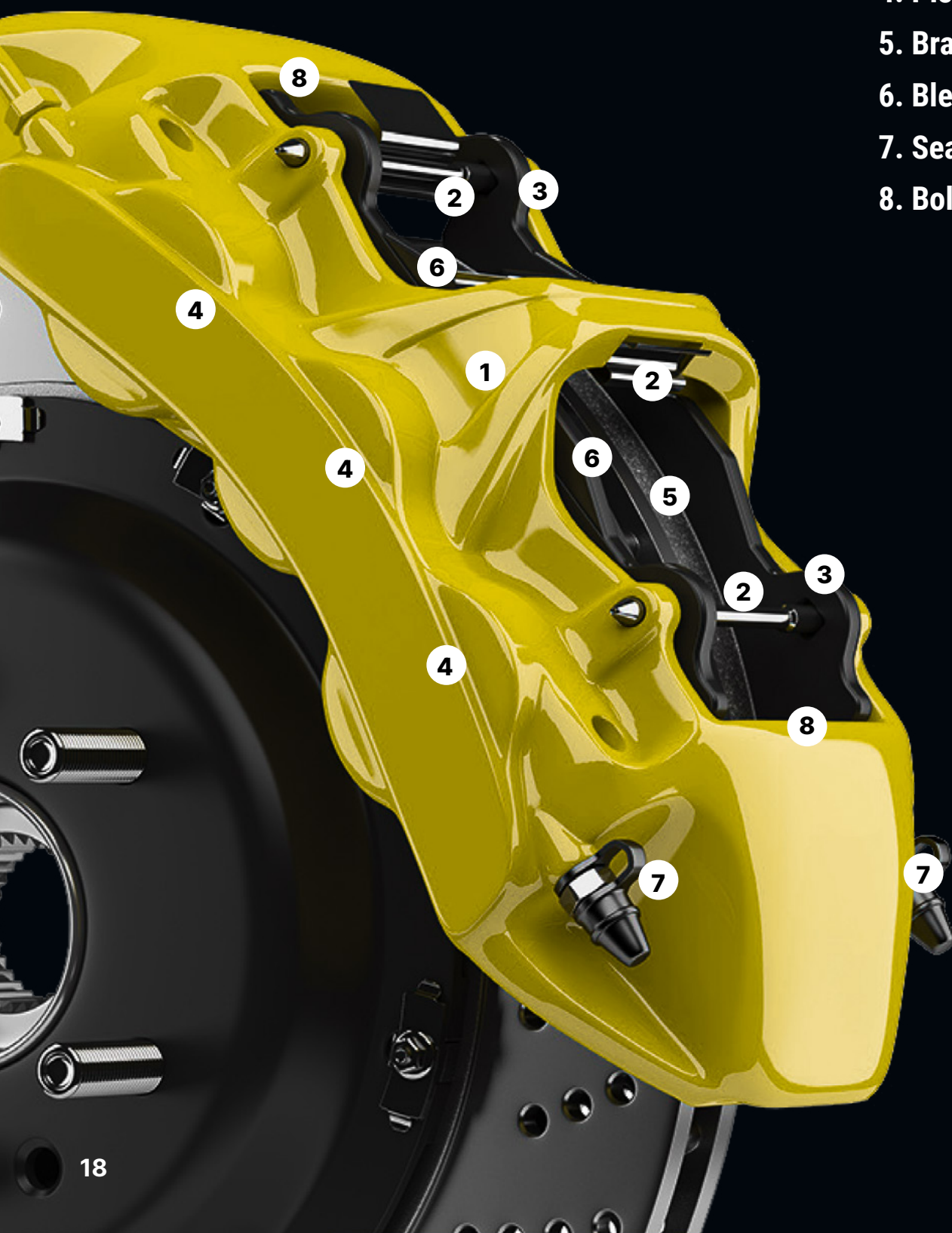
PEUGEOT

VAUXHALL

BRAKE CALIPERS

RIDEX brake calipers are reliable, durable, high-performance components. They ensure efficient braking system operation and a high level of safety.

1. Body
2. Guide pins
3. Pin boots
4. Piston
5. Bracket
6. Bleeder screw
7. Seals
8. Bolts



TOP SELLING SKUs



Article No. 78B0020

Brake Caliper
Rear Axle Left, in front of axle

OEM NUMBER COMPATIBILITY		PASSENGER CAR BRANDS
1K0615423A — AUDI 1K0615423A — SKODA 1K0615423A — VAG	1K0615423D — VAG 1K0615423J — VAG 1K0615423Q — VAG	AUDI SEAT SKODA VW



Article No. 78B0031

Brake Caliper
Rear Axle Right, in front of axle

OEM NUMBER COMPATIBILITY		PASSENGER CAR BRANDS
1K0615423A — AUDI 1K0615423A — SKODA 1K0615423A — VAG	1K0615423D — VAG 1K0615423J — VAG 1K0615423Q — VAG	AUDI SEAT SKODA VW



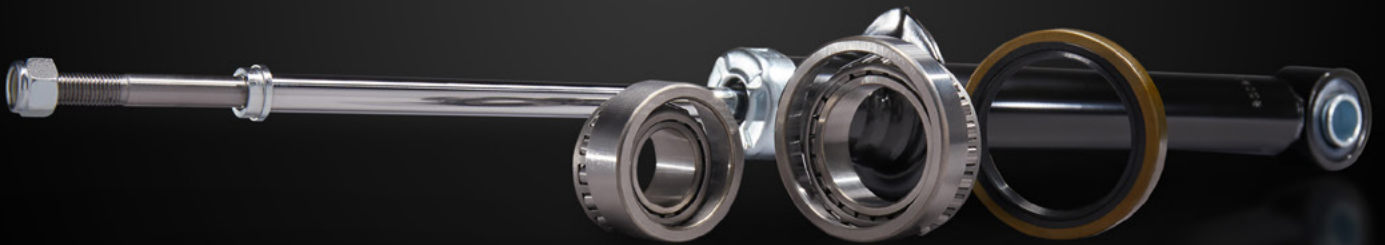
Article No. 78B0010

Brake Caliper
Rear Axle

OEM NUMBER COMPATIBILITY			PASSENGER CAR BRANDS
1J0615424D — AUDI 1J0615424F — AUDI 1J0615424H — AUDI 6R0615424 — AUDI 6R0615424A — AUDI 1J0615424D — SEAT 1J0615424F — SEAT	1J0615424H — SEAT 6R0615424 — SEAT 6R0615424A — SEAT 1J0615424D — SKODA 1J0615424F — SKODA 1J0615424H — SKODA 6R0615424 — SKODA	6R0615424A — SKODA 1J0615424D — VW 1J0615424F — VW 1J0615424H — VW 6R0615424 — VW 6R0615424A — VW	AUDI SEAT SKODA VW

SUSPENSION

- Shock Absorbers
- Wheel Bearing Kit



SHOCK ABSORBERS

1. Nickel-plated fasteners

2. Chrome-plated rods made of high-cast steel

3. High-grade seals

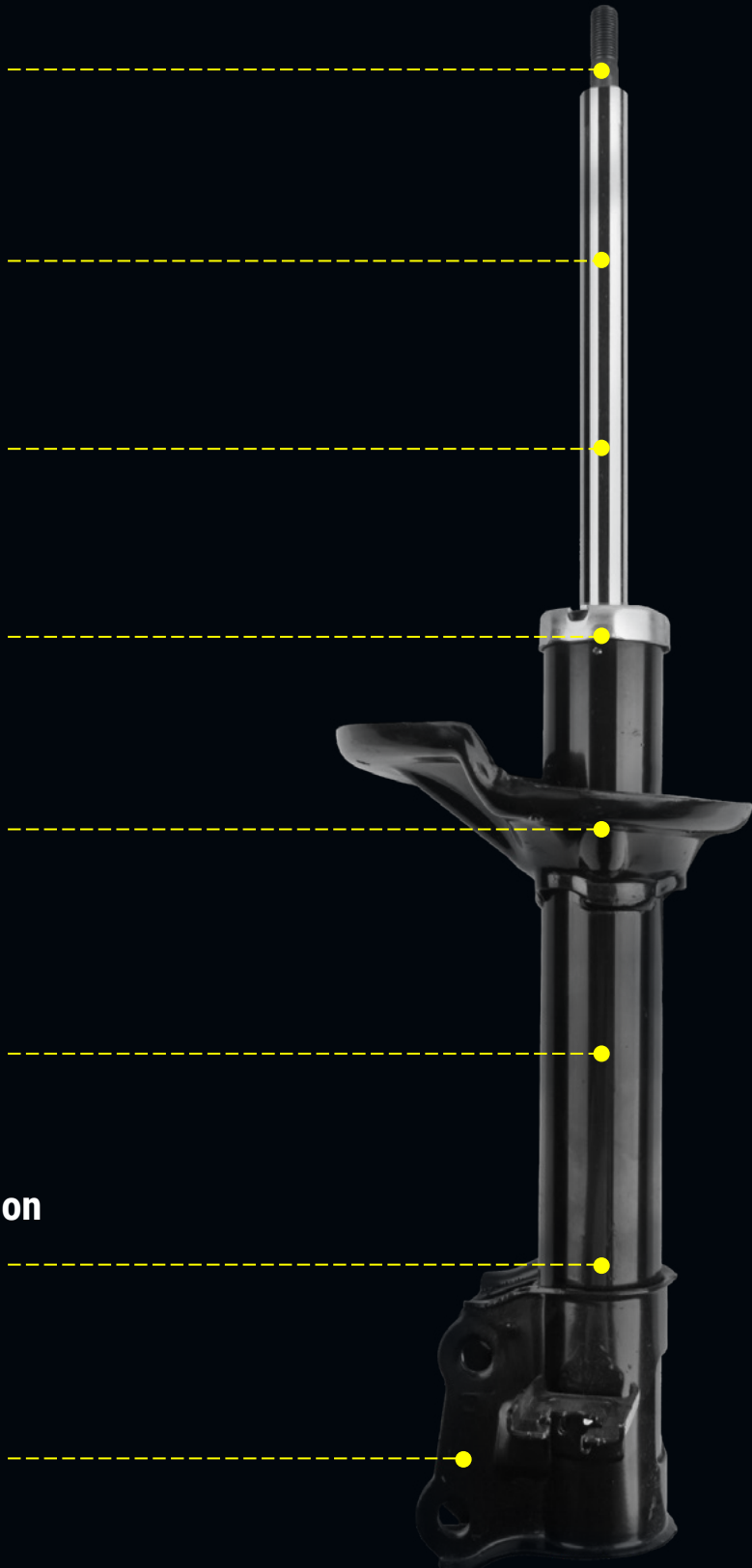
4. Robotic-welded seams

5. Teflon-coated bushings

6. Special semisynthetic oil resistant to extreme temperatures

7. Self-regulating compression valve with unique design for each vehicle

8. Long-lasting Anti-corrosive coating



TOP SELLING SKUs



Article No. 854S0003

Shock Absorber
Gas Pressure

OEM NUMBER COMPATIBILITY			PASSENGER CAR BRANDS
1J0 512 011 AA — AUDI	8N0 513 025 A — AUDI	1J0 512 011 BR — VW	AUDI SEAT SKODA VW
1J0 512 011 AC — AUDI	8N0 513 025 C — AUDI	1J0513025AA — VW	
1J0 513 025 AA — AUDI	8N0 513 025 H — AUDI	1J0513025AD — VW	
1J0513025AD — AUDI	8N0 513 025 J — AUDI	1J0513025AG — VW	
1J0513025AG — AUDI	8N0 513 025 K — AUDI	1J0 513 025 AJ — VW	
1J0 513 025 AJ — AUDI	1J0513025AA — SEAT	1J0513025B — VW	
1J0 513 025 AK — AUDI	1J0 513 025 AD — SEAT	1J0 513 025 BB — VW	
1J0 513 025 AQ — AUDI	1J0513025AG — SEAT	1J0 513 025 BF — VW	
1J0 513 025 AR — AUDI	1J0 513 025 AL — SEAT	1J0 513 025 BG — VW	
1J0513025B — AUDI	1J0513025B — SEAT	1J0 513 025 BH — VW	
1J0 513 025 BF — AUDI	1J0513025BM — SEAT	1J0513025BK — VW	
1J0 513 025 BG — AUDI	1J0 513 025 BN — SEAT	1J0513025BM — VW	
1J0513025BK — AUDI	1J0 513 025 BQ — SEAT	1J0513025BN — VW	
1J0 513 025 BL — AUDI	1J0 513 025 CB — SEAT	1J0 513 025 BS — VW	
1J0 513 025 BM — AUDI	1J0 513 025 DJ — SEAT	1J0 513 025 CB — VW	
1J0513025BN — AUDI	1J0 513 025 PG — SEAT	1J0 513 025 DA — VW	
1J0 513 025 BP — AUDI	6Q0 513 025 AH — SEAT	1J0 513 025 DC — VW	
1J0 513 025 BR — AUDI	6Q0 513 025 S — SEAT	1J0 513 025 DG — VW	
1J0 513 025 BS — AUDI	6R0 513 025 K — SEAT	1J0 513 025 DJ — VW	
1J0 513 025 C — AUDI	8N0 513 025 C — SEAT	1J0 513 031 AK — VW	
1J0 513 025 CB — AUDI	1J0 513 025 — SKODA	1J9 513 025 A — VW	
1J0 513 025 CD — AUDI	1J0513025AA — SKODA	1J9 513 025 C — VW	
1J0 513 025 CE — AUDI	1J0 513 025 AD — SKODA	1J9 513 025 E — VW	
1J0 513 025 DC — AUDI	1J0 513 025 AG — SKODA	1J9 513 025 F — VW	
1J0 513 025 DJ — AUDI	1J0 513 025 B — SKODA	370 31 — VW	
1J0 513 025 E — AUDI	1J0 513 025 BG — SKODA	670 32 — VW	
1J0 513 025 F — AUDI	1J0 513 025 BH — SKODA	670 33 — VW	
1J0 513 025 H — AUDI	1J0 513 025 BK — SKODA	670 34 — VW	
1J0 513 025 P — AUDI	1J0513025BM — SKODA	670 37 — VW	
1J0 513 025 Q — AUDI	1J0513025BN — SKODA	670 43 — VW	
370 64 — AUDI	1J0 513 025 CB — SKODA	670 47 — VW	
5Z0 512 011 A — AUDI	1J0 513 025 DJ — SKODA	670 67 — VW	
5Z0 513 025 A — AUDI	1J0 513 031 AD — SKODA	670 68 — VW	
670 32 — AUDI	1J9 513 025 A — SKODA	670 69 — VW	
670 33 — AUDI	1J9 513 025 E — SKODA	670 78 — VW	
670 34 — AUDI	1J9 513 025 F — SKODA	670 87 — VW	
670 67 — AUDI	6Q0 513 025 AH — SKODA	671 13 — VW	
670 68 — AUDI	6Q0 513 031 AH — SKODA	671 29 — VW	
670 69 — AUDI	1J0513025AA — VAG	671 60 — VW	
670 79 — AUDI	1J0513025AD — VAG	6Q0 513 025 AH — VW	
671 13 — AUDI	1J0513025AG — VAG	6R0 513 025 AD — VW	
671 22 — AUDI	1J0513025B — VAG	6R0 513 025 AJ — VW	
671 29 — AUDI	1J0513025BK — VAG	804 900 556 227 — VW	
671 60 — AUDI	1J0513025BM — VAG	814 015 562 26 — VW	
6Q0 513 025 AH — AUDI	1J0513025BN — VAG	8N0 513 025 H — VW	
804 900 556 227 — AUDI	1J0513025CB — VAG	JZW 513 025 — VW	
8N0 513 025 — AUDI	1J0 512 011 AC — VW		



Article No. 854S0009

Shock Absorber

Front Axle, Gas Pressure, Suspension Strut

OEM NUMBER COMPATIBILITY			PASSENGER CAR BRANDS
1J0400054AF — AUDI	1J0412021CJ — VAG	1J0 413 031 BH — VW	AUDI SEAT SKODA VW
1J0412021CJ — AUDI	1J0413031BC — VAG	1J0 413 031 BJ — VW	
1J04130315 — AUDI	45470936 — VAG	1J0 413 031 BL — VW	
1J0 413 031 BC — AUDI	180 413 031 B — VW	1J0 413 031 CH — VW	
1J0 413 031 CP — AUDI	1C9 413 031 — VW	1J0 413 031 CR — VW	
1J0 413 031 Q — AUDI	1J0400054AF — VW	1J0 413 031 DB — VW	
1J0 413 031 R — AUDI	1J0412021CJ — VW	1J0 413 031 DD — VW	
1J0 431 031 P — AUDI	1J04130315 — VW	1J0 413 031 DQ — VW	
1J0 431 031 R — AUDI	1J0 413 031 AB — VW	1J0 413 031 DR — VW	
45470936 — AUDI	1J0 413 031 AC — VW	1J0 413 031 N — VW	
1J0413031AA — SEAT	1J0 413 031 AE — VW	1J0 413 031 P — VW	
1J0413031R — SEAT	1J0 413 031 AG — VW	1J0 413 031 S — VW	
1J0413031BJ — SEAT	1J0 413 031 AM — VW	1J0 413 031 T — VW	
1U0 413 031 — SKODA	1J0413031BC — VW	45470936 — VW	
1J0400054AF — VAG	1J0413031BE — VW		



Article No. 854S0306

Shock Absorber

Front Axle, Gas Pressure, Twin-Tube, Suspension Strut

OEM NUMBER COMPATIBILITY			PASSENGER CAR BRANDS
5N0413031AE — AUDI	3AA413031A — VAG	3AA413031F — VW	AUDI SEAT SKODA VW
5N0413031AF — AUDI	561413031A — VAG	3AA413031G — VW	
5N0413031AQ — AUDI	5C0413031AK — VAG	3AA413031H — VW	
5N0413031AR — AUDI	7N0413031J — VAG	3AA413031J — VW	
5ND413031B — AUDI	8P0413031 — VAG	5C0413031BK — VW	
3C0413031BA — SKODA	1T0413031EQ — VW	5C0413031BQ — VW	
3C0413031BD — SKODA	1T0413031FK — VW	5C0413031CS — VW	
1TD413031D — SKODA (SVW)	1T0413031HL — VW	5C0413031CT — VW	
1T0413031EQ — VAG	1T0413031JS — VW	5C0413031DG — VW	

WHEEL BEARING KITS

RIDEX wheel bearing kits help restore a car to good working condition and provide long-lasting comfort and safety.

ADVANTAGES:

- Can withstand extreme loads
- Include everything required for easy mounting
- Exact same specifications as the original equipment
- Light and compact
- Guarantee perfect vehicle steerability
- Absorb radial and axial loads during cornering, braking, and acceleration
- Made of high-quality alloys using modern technologies
- Extended service life
- Minimise wheel hub bending
- Promote fuel efficiency
- Lower noise level; resist vibration

TOP SELLING SKUs



Article No. 654W0009

Wheel Bearing Kit
with integrated magnetic sensor ring

OEM NUMBER COMPATIBILITY			PASSENGER CAR BRANDS
1T0498621 — AUDI 3C0498621 — AUDI 5K0498621 — AUDI 8J0598625 — AUDI 8X0498625 — AUDI	1T0498621 — SEAT 5K0498621 — SEAT 8J0598625 — SEAT 1T0498621 — SKODA 5K0498621 — SKODA	8J0598625 — SKODA 1T0498621 — VW 3C0498625 — VW 5K0498621 — VW 8J0598625 — VW	AUDI SEAT SKODA VW



Article No. 654W0005

Wheel Bearing Kit
Rear Axle, Left, Right, with integrated magnetic sensor ring

OEM NUMBER COMPATIBILITY			PASSENGER CAR BRANDS
1T0 501 611 — AUDI 1T0598611 — AUDI 1T0598611A — AUDI 1T0598611B — AUDI 1T0 598 611 B SK — AUDI 3G0598611 — AUDI 3G0 598 611 A — AUDI 1T0598611A — PORSCHE 1T0 501 611 — SEAT 1T0598611 — SEAT 1T0598611A — SEAT 1T0598611B — SEAT	1T0 598 611 B SK — SEAT 3G0598611 — SEAT 3G0 598 611 A — SEAT 7N0 598 611 — SEAT 1T0 501 611 — SKODA 1T0598611 — SKODA 1T0598611B — SKODA 1T0 598 611 B SK — SKODA 3G0598611 — SKODA 3G0 598 611 A — SKODA 1T0501611 — VW 1T0501611A — VW	1T0501611H — VW 1T0501611M — VW 1T0598611 — VW 1T0598611A — VW 1T0 598 611 B — VW 1T0 598 611 B SK — VW 3G0598611 — VW 3G0 598 611 A — VW 5QF 598 611 — VW 7N0 598 611 — VW 8S0 598 611 — VW L 1TD 501 611 — VW	AUDI SEAT SKODA VW



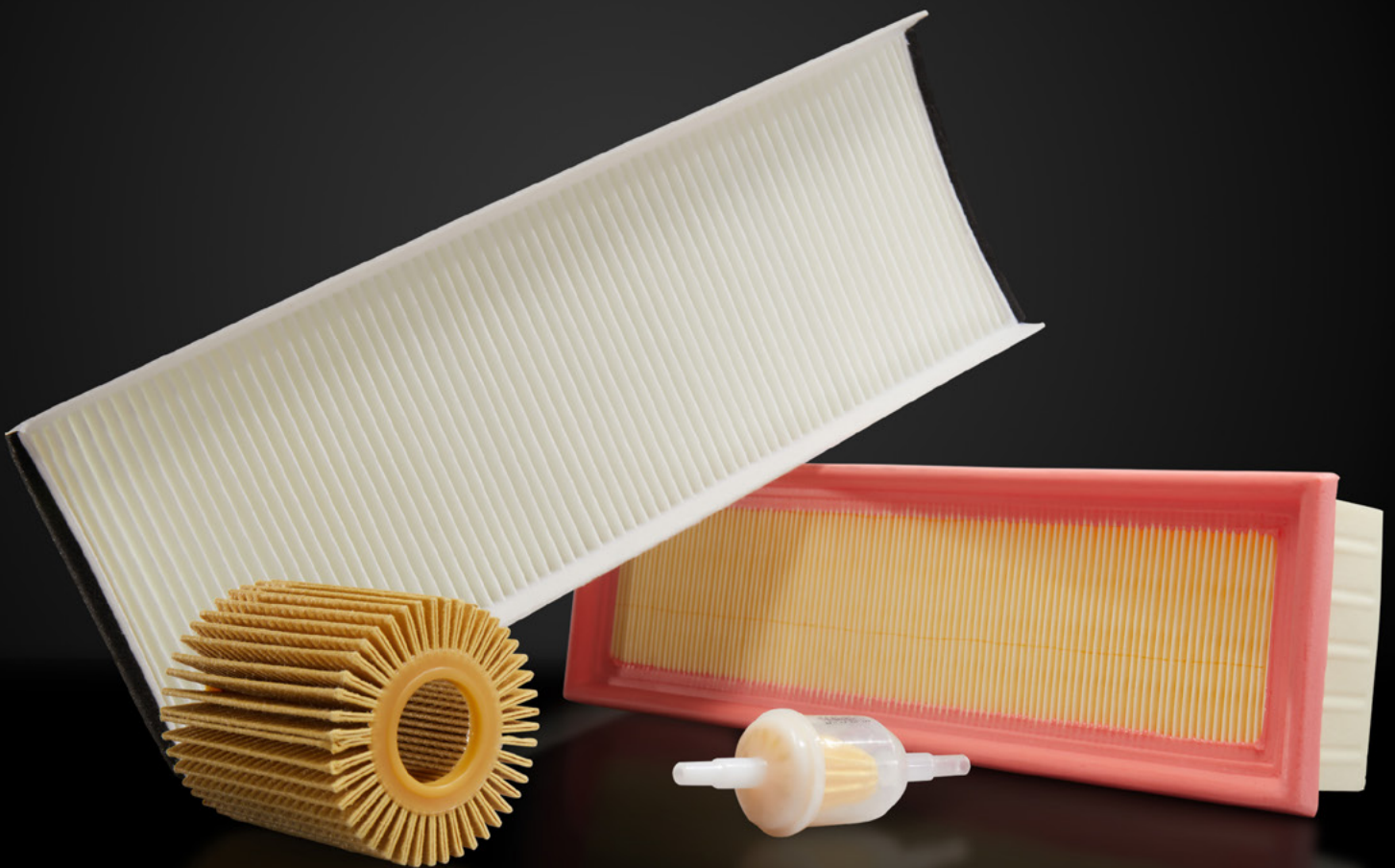
Article No. 654W0013

Wheel Bearing Kit

OEM NUMBER COMPATIBILITY			PASSENGER CAR BRANDS
1 274298 — VOLVO 31329980 — VOLVO	31658081 — VOLVO 8672371 — VOLVO	9113991 — VOLVO 9173991 — VOLVO	VOLVO

FILTERS

- Cabin Filter
- Air Filter
- Fuel Filter
- Oil Filter



CABIN FILTER

TOP SELLING SKUs



Article No. 424I0011

Filter, interior air
Charcoal Filter

OEM NUMBER COMPATIBILITY			PASSENGER CAR BRANDS
64316925982 — BMW	64319142115 — BMW	6962553 — BMW	ALPINA BMW
64316946628 — BMW	64319313519 — BMW	9142115 — BMW	
64316962549 — BMW	6962549 — BMW	9313519 — BMW	
64 31 6 962 553 — BMW			



Article No. 424I0028

Filter, interior air
Pollen Filter

OEM NUMBER COMPATIBILITY			PASSENGER CAR BRANDS
6447KK — CITROËN	E146071 — CITROËN	6447NT — PEUGEOT	CITROËN DS PEUGEOT
6447NT — CITROËN	E146155 — CITROËN	6447NV — PEUGEOT	
6447NV — CITROËN	9655548380 —	6447TJ — PEUGEOT	
6447TL — CITROËN	CITROËN/PEUGEOT	6479C2 — PEUGEOT	
647941 — CITROËN	E146155 — DS	9635064380 — PEUGEOT	
647975 — CITROËN	6447KK — PEUGEOT	E146155 — PEUGEOT	
6479C2 — CITROËN	6447KL — PEUGEOT	8122446 — VOLVO	



Article No. 424I0070

Filter, interior air
Charcoal Filter

OEM NUMBER COMPATIBILITY		PASSENGER CAR BRANDS
2048300018 — MERCEDES-BENZ	A2048300018 — MERCEDES-BENZ	MERCEDES-BENZ
2048300518 — MERCEDES-BENZ	A2048300518 — MERCEDES-BENZ	
2128300018 — MERCEDES-BENZ	A2128300018 — MERCEDES-BENZ	
2128300218 — MERCEDES-BENZ	A2128300218 — MERCEDES-BENZ	
2128300318 — MERCEDES-BENZ	A2128300318 — MERCEDES-BENZ	

AIR FILTER

FEATURES & ADVANTAGES

Air filters in the panel and round styles by RIDEX remove tiny dirt particles and debris that would otherwise harm various parts of the engine. As such, RIDEX filters fit the specs of the parts they're intended to protect to a tee. They resist being shaken loose and the impact of heat and attach to the relevant parts with seals molded to fit perfectly. To increase the interval before they need to be replaced, air filters by RIDEX use resin impregnated media and an appropriate pleat count.



Panel air filter style

- One-dimensional airflow shields the motor from harmful air impurities.
- Urethane seal, easy installation.
- Bonded folds keep particles away from the engine.



Round air filter style

- Metal clips help the filter contain particles.
- Combustion chamber protected by plastisol seals.
- Media protected from damage by backfires with an inner screen.
- Resin impregnated media can hold a larger amount of impurities before needing replacement.

TOP SELLING SKUs



Article No. 8A0004

Air Filter

OEM NUMBER COMPATIBILITY			PASSENGER CAR BRANDS
1K0129620D — AUDI 1K0129620F — AUDI 5C0129620 — AUDI 1K0129620D — SEAT 1K0129620F — SEAT	1K0129620D — SKODA 1K0129620F — SKODA 1K0129620D — VAG 1K0129620F — VAG 1K0129620G — VAG	OEN 1K0129620D — VW OEN 1K0129620F — VW OEN 3C0129620A — VW OEN 5C0129620 — VW	AUDI SEAT SKODA VW



Article No. 8A0011

Air Filter

OEM NUMBER COMPATIBILITY	PASSENGER CAR BRANDS
PC1105 — AC 13712247444 — BMW PHE000040 — LAND ROVER	ALPINA BMW LAND ROVER MITSUBISHI



Article No. 8A0010

Air Filter
Filter Insert

OEM NUMBER COMPATIBILITY	PASSENGER CAR BRANDS
13712246997 — BMW LR007478 — LAND ROVER PHE100500 — LAND ROVER PHE100500L — LAND ROVER	ALPINA BMW LAND ROVER MG ROVER

FUEL FILTERS

FEATURES & ADVANTAGES

Fuel filters by RIDEX are intended to strike a delicate balance between filtration efficiency, longevity, flow management, and compatibility of materials. They are therefore built with original specs and the installation features in mind.



- Attachment directly to the fuel line allows for compatibility with other protective devices
- Tube type fittings match all types of fuel lines
- Provide almost ideal fuel filtration
- Conceived to resist intense pressure from fuel injection systems
- Phenolic impregnated filter media for greater longevity, efficiency, and stability
- Easier mounting with an assortment of fittings, including O-ring, tube, and quick connect
- Special coating for inner end plates that repels contemporary fuel types, protecting the parts

TOP SELLING SKUs



Article No. 9F0004

Fuel filter

OEM NUMBER COMPATIBILITY			PASSENGER CAR BRANDS
13327804958 — BMW	1458065 — FORD	Y602-13-ZA5A — MAZDA	CITROËN FIAT FORD MAZDA MINI PEUGEOT SANTANA SUZUKI VOLVO
13328517166 — BMW	1543178 — FORD	190167 — PEUGEOT	
190178 — CITROËN	3M5Q9155BB — FORD	190181 — PEUGEOT	
9649448880 — CITROËN	3M5Q9155CA — FORD	190195 — PEUGEOT	
E148068 — CITROËN	3M5Q9155CB — FORD	1541073J00 — SUZUKI	
9401901788 — FIAT	3M5Q9176BA — FORD	1541073J00000 — SUZUKI	
9467616080 — FIAT	Y60113480 — MAZDA	1541073J10000 — SUZUKI	
1232325 — FORD	Y60213480 — MAZDA	30750085 — VOLVO	
1254391 — FORD	Y60213480A — MAZDA	31219584 — VOLVO	
1340105 — FORD	Y60213ZA5 — MAZDA		



Article No. 9F0095

Fuel filter

OEM NUMBER COMPATIBILITY			PASSENGER CAR BRANDS
9672320980 — ALFA ROMEO	190197 — CITROËN/PEUGEOT	9672320980 — FIAT	CITROËN DS PEUGEOT
190197 — CITROËN	190446 — CITROËN/PEUGEOT	9672320980 — LANCIA	
190446 — CITROËN	1906E6 — CITROËN/PEUGEOT	MN982655 — MITSUBISHI	
1906000000 — CITROËN	9672314980 — CITROËN/PEUGEOT	1906000000 — PEUGEOT	
1906E6 — CITROËN	9672314980 — CITROËN/PEUGEOT	9809721080 — PEUGEOT	
9672314980 — CITROËN		SU001-A0684 — TOYOTA	
9672320980 — CITROËN		SU001-A2898 — TOYOTA	
9809721080 — CITROËN			

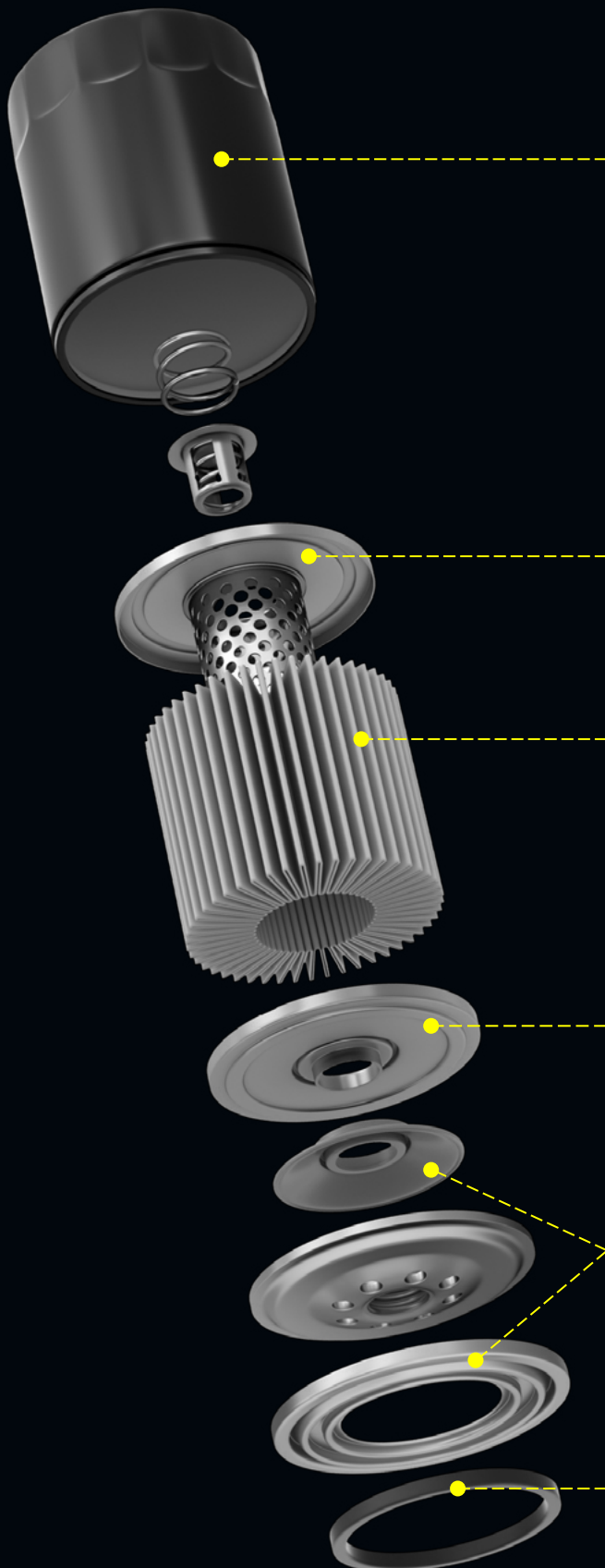


Article No. 424I0070

Fuel filter

OEM NUMBER COMPATIBILITY			PASSENGER CAR BRANDS
3C0127177 — VAG	3C0127400E — VAG	3C0127434A — VAG	AUDI SEAT SKODA VW
3C0127400C — VAG	3C0127434 — VAG		

OIL FILTER



1. P04 steel casing

Thickness between 0.5 and 0.7 mm

2. Helical crimping

Hinex system inner pipe

3. Filter media 140 g/m²

Permeability 580 l/m² sec

4. Multilevel seals

5. Dd13 threaded steel base Plate

Thickness between 3 and 7 mm

6. Front seal

Thermal resistance of 120°C to -35°C



Article No. 700005

Oil Filter
Screw-on Filter

OEM NUMBER COMPATIBILITY			PASSENGER CAR BRANDS
1N4402H — CATERPILLAR	1109R0 — DS	1109AP — PEUGEOT	ALPINE CHEVROLET CITROËN DAEWOO DAF DAIHATSU FIAT HYUNDAI LADA LANCIA
25184029 — CHEVROLET	1109R1 — DS	1109 C2 — PEUGEOT	
96389188 — CHEVROLET	1109T0 — DS	1109CA — PEUGEOT	
96818899 — CHEVROLET	1109T1 — DS	1109CN — PEUGEOT	
1109 38 — CITROËN	1109X2 — DS	1109F0 — PEUGEOT	
1109 39 — CITROËN	E149134 — DS	1109K1 — PEUGEOT	
1109 AK — CITROËN	6001073242 — FIAT	1109L0 — PEUGEOT	
1109AL — CITROËN	71753741 — FIAT	1109 LO — PEUGEOT	
1109AP — CITROËN	71771371 — FIAT	1109N2 — PEUGEOT	
1109CA — CITROËN	71772207 — FIAT	1109 N4 — PEUGEOT	



Article No. 700002

Oil Filter
Filter Insert

OEM NUMBER COMPATIBILITY			PASSENGER CAR BRANDS
045 115 389C — AUDI	VW071115562C — LINDE	045 115 466 — VW	AUDI CHRYSLER DODGE FORD JEEP MITSUBISHI SEAT SKODA VW
045 115 466 C — AUDI	MN980125 — MITSUBISHI	045 115 466 A — VW	
68001297AA — CHRYSLER	MN980408 — MITSUBISHI	045 115 466 B — VW	
68001 297AA — DODGE	TS200008 — MITSUBISHI	045 115 466 C — VW	
K68001297AA — FIAT	070 115 562 — SEAT	045 118 389 C — VW	
1118184 — FORD	071 115 562 A — SEAT	045 118 466 — VW	
1250679 — FORD	071 115 562 C — SEAT	070115562 — VW	
3M21 6744 AA — FORD	071 115 562 A — SKODA	071 115 562 — VW	
YM21 6744 AA — FORD	071 115 562 C — SKODA	071 115 562 A — VW	



Article No. 700009

Oil Filter

OEM NUMBER COMPATIBILITY			PASSENGER CAR BRANDS
OEN 03L115466 — AUDI	OEN 03L115466 — SKODA	OEN 03L115562 — VAG	AUDI OPEL SEAT SKODA VW
OEN 03L115562 — AUDI	OEN 03L115562 — SKODA	OEN 03L115466 — VW	
OEN 03L115466 — SEAT	OEN 03L115466 — VAG	OEN 03L115562 — VW	
OEN 03L115562 — SEAT			

DAMPING/ SPRINGS

– Coil Spring



COIL SPRING

TOP SELLING SKUs



Article No. 188C0002

Coil Spring
Front Axle

OEM NUMBER COMPATIBILITY		PASSENGER CAR BRANDS
1H0411105C — SEAT 1J0411105 — SEAT 1J0411105AE — SEAT 1J0411105BG — SEAT 1J0411105BL — SEAT	357411105S — SEAT 357411105T — SEAT 1J0411105AE — VW 357411105S — VW 357411105T — VW	SEAT SKODA VW



Article No. 188C0064

Coil Spring
Rear Axle

OEM NUMBER COMPATIBILITY		PASSENGER CAR BRANDS
OEN 3C0 511 115 AE — VW OEN 3C0 511 115 AF — VW		SEAT SKODA VW



Article No. 188C0017

Coil Spring
Front Axle

OEM NUMBER COMPATIBILITY		PASSENGER CAR BRANDS
OEN 5002AN — PEUGEOT OEN 5002AP — PEUGEOT OEN 5002FV — PEUGEOT OEN 5002FW — PEUGEOT		CITROËN PEUGEOT

CLUTCH

— Clutch Kit



TOP SELLING SKUs



Article No. 479C0032

Clutch Kit

with clutch pressure plate, with clutch plate, with reaser,
with screw set, with flywheel

OEM NUMBER COMPATIBILITY

PASSENGER CAR BRANDS

028 105 264 K — AUDI	06A 105 264 M — SEAT	038 105 264 — VW
038 105 264 — AUDI	038 105 264 J — SKODA	038 105 264 D — VW
038 105 264 D — AUDI	06A 105 264 M — SKODA	038 105 264 H — VW
038 105 264 H — AUDI	028 105 264 G — VW	038 105 264 J — VW
038 105 264 J — AUDI	028 105 264 K — VW	06A 105 264 M — VW
038 105 264 J — SEAT		

AUDI
SEAT
SKODA
VW



Article No. 479C0004

Clutch Kit

Three-piece, with reaser

OEM NUMBER COMPATIBILITY

PASSENGER CAR BRANDS

1611268580 — CITROËN	2051.T9 — CITROËN	0000071795683 — FIAT
2050E7 — CITROËN	2051.W2 — CITROËN	0009402052420 — FIAT
2050J4 — CITROËN	205262 — CITROËN	1611268580 — FIAT
2050L2 — CITROËN	205268 — CITROËN	71722810 — FIAT
2050L4 — CITROËN	205273 — CITROËN	71784584 — FIAT
2050N2 — CITROËN	205274 — CITROËN	9402050168 — FIAT
2050S0 — CITROËN	2052 K1 — CITROËN	9464207180 — FIAT
2050T8 — CITROËN	2052S9 — CITROËN	9464866080 — FIAT
2051H1 — CITROËN	2052.T4 — CITROËN	

CITROËN
FIAT
LANCIA
PEUGEOT
SUZUKI



Article No. 479C0081

Clutch Kit

with reaser, with flywheel

OEM NUMBER COMPATIBILITY

PASSENGER CAR BRANDS

03G105264AA — VAG	03G105264G — VAG	03G105266BA — VAG
03G105264AB — VAG	03G105264N — VAG	03G105266BM — VAG
03G105264AC — VAG	03G105264S — VAG	03G105266E — VAG
03G105264AD — VAG	03G105264T — VAG	03G141264K — VAG
03G105264C — VAG	03G105266AL — VAG	03L105266E — VAG
03G105264D — VAG		

AUDI
SEAT
SKODA
VW

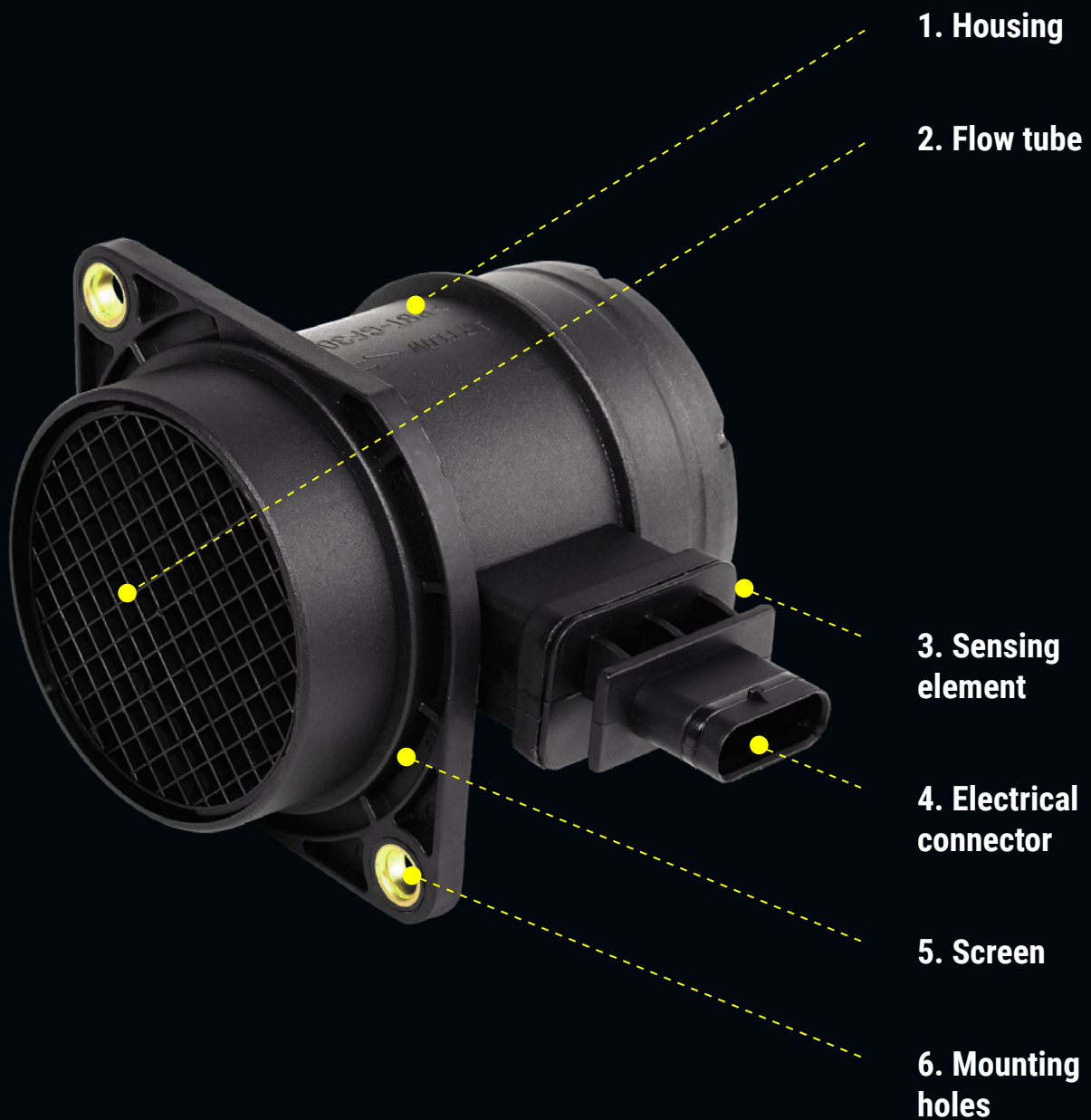
SENSORS

- MAF Sensor
- ABS Sensors



MAF SENSOR

RIDEX MAF sensors measure the amount of air that enters the engine with high precision. They help to adjust the airflow correctly, contributing to fuel efficiency. These components are made of durable materials and have a long service life.



TOP SELLING SKUs



Article No. 3926A0069

MAF Sensor

OEM NUMBER COMPATIBILITY		PASSENGER CAR BRANDS
1610874680 — CITROËN 1920.GV — CITROËN 96 500 10780 — CITROËN 71794490 — FIAT 71794492 — FIAT 1 232 096 — FORD 1 255 117 — FORD	3M5A12B579BA — FORD 3M5A12B579BB — FORD Y601 13 215 — MAZDA 1610874680 — PEUGEOT 1920.GV — PEUGEOT 96 500 10780 — PEUGEOT 30622124 — VOLVO	CITROËN FIAT FORD MAZDA MINI PEUGEOT VOLVO



Article No. 3926A0063

MAF Sensor

OEM NUMBER COMPATIBILITY	PASSENGER CAR BRANDS
13627788744 — BMW 7788744 — BMW	BMW



Article No. 3926A0019

MAF Sensor
without suction pipe

OEM NUMBER COMPATIBILITY			PASSENGER CAR BRANDS
C2S2670 — JAGUAR PHF000140 — LAND ROVER 22204-07010 — LEXUS 22204-0C020 — LEXUS 22204-0D030 — LEXUS 22204-0J010 — LEXUS 22204-21010 — LEXUS	22204-22010 — LEXUS ZL01-13-215 — MAZDA ZLY1-13-215 — MAZDA MR547077 — MITSUBISHI 13800-63J00 — SUZUKI 13800-84E00 — SUZUKI 22204-07010 — TOYOTA	22204-0C020 — TOYOTA 22204-0D030 — TOYOTA 22204-0J010 — TOYOTA 22204-21010 — TOYOTA 22204-22010 — TOYOTA 30713512 — VOLVO 8658471 — VOLVO	JAGUAR LAND ROVER LEXUS MAZDA MITSUBISHI SUZUKI TOYOTA VOLVO

ABS SENSOR

RIDEX wheel speed sensors ensure flawless operation of many automotive systems such as ABS, traction control, stability control, tyre pressure monitoring systems, and others.

ADVANTAGES

- Stable, accurate, and fast signal transmission under all conditions
- Successfully passed a series of tests under high load conditions
- Operating temperature range from -40°C to $+150^{\circ}\text{C}$
- Leak-tight housing resistant to service fluids
- Resistant to vibration and mechanical impacts

TYPES



Passive

Have a simple design, do not require connection to a power supply, start operating as soon as the car reaches a certain speed



Active

Require connection to a power supply, operate from a car speed of 0 km/h, and read data with high accuracy

TOP SELLING SKUs



Article No. 412W0053

ABS Sensor
Rear Axle left and right

OEM NUMBER COMPATIBILITY	PASSENGER CAR BRANDS
34526762466 — BMW 6 762 466 — BMW	BMW



Article No. 412W0074

ABS Sensor
Front axle both sides

OEM NUMBER COMPATIBILITY	PASSENGER CAR BRANDS
4545A9 — CITROËN 4545G6 — CITROËN 9642687580 — CITROËN 9664699480 — CITROËN 4545A9 — PEUGEOT 4545G6 — PEUGEOT 9642687580 — PEUGEOT 9664699480 — PEUGEOT	CITROËN PEUGEOT



Article No. 412W0004

ABS Sensor
Rear Axle left and right, without cable

OEM NUMBER COMPATIBILITY	PASSENGER CAR BRANDS
1J0 927 807 B — AUDI 131403 — HITACHI 1J0 927 807 B — SEAT 1J0 927 807 B — SKODA 1J0 927 807 B — VAG 1J0 927 807 B — VW	AUDI SEAT SKODA VW

WINDOW CLEANING SYSTEM

– Wiper Blade



WIPER BLADE

TOP SELLING SKUs



Article No. 298W0046

Wiper Blade

Front, Flat wiper blade, Standard, Length: 400mm

PASSENGER CAR BRANDS

ALFA ROMEO	DAIHATSU	INFINITI	LEXUS	PORSCHE	SUBARU
AUDI	DAIMLER	ISUZU	MAZDA	RENAULT	SUZUKI
AUSTIN	DODGE	IVECO	MERCEDES-	ROLLS-ROYCE	TALBOT
BMW	FIAT	JAGUAR	BENZ	ROVER	TATA (TELCO)
CHEVROLET	FORD	JEEP	MG	SAAB	TOYOTA
CHRYSLER	FORD USA	KIA	MINI	SEAT	TRIUMPH
CITROËN	HONDA	LADA	NISSAN	SKODA	VAUXHALL
DACIA	HUMMER	LANCIA	OPEL	SMART	VOLVO
DAEWOO	HYUNDAI	LAND ROVER	PEUGEOT	SSANGYONG	VW
DAF			PIAGGIO		WARTBURG



Article No. 298W0049

Wiper Blade

Front, Flat wiper blade, Beam, Length: 600mm, Length: 400mm

PASSENGER CAR BRANDS

CITROËN	DS	OPEL	PEUGEOT	VAUXHALL
---------	----	------	---------	----------



Article No. 298W0088

Wiper Blade

Front, Flat wiper blade, Length: 550mm, Length: 400mm

PASSENGER CAR BRANDS

ALFA ROMEO	DAEWOO	HYUNDAI	MAZDA	SUBARU
CHEVROLET	FIAT	KIA	NISSAN	SUZUKI
DACIA	FORD	LANCIA	OPEL	TOYOTA

BODY

- Boot/Tailgate Gas Spring
- Bonnet Gas Spring



BOOT/TAILGATE GAS SPRING

TOP SELLING SKUs



Article No. 219G0493

Gas Spring, boot- / cargo area
Eject Force: 1845N

OEM NUMBER COMPATIBILITY

955 512 550 00 — PORSCHE
955 512 550 01 — PORSCHE
955 512 550 02 — PORSCHE
955 512 550 03 — PORSCHE
955 512 550 04 — PORSCHE
955 512 550 06 — PORSCHE

PASSENGER CAR BRANDS

PORSCHE



Article No. 219G0004

Gas Spring, boot- / cargo area Left and right,
Eject Force: 500N

OEM NUMBER COMPATIBILITY

1J6827550 — VW
1J6827550C — VW
1J6 827 550 E — VW
1J9 827 550 — VW
3B9 827 550 — VW

PASSENGER CAR BRANDS

VW



Article No. 219G0068

Gas Spring, boot- / cargo area Left and right,
Eject Force: 1650N

OEM NUMBER COMPATIBILITY

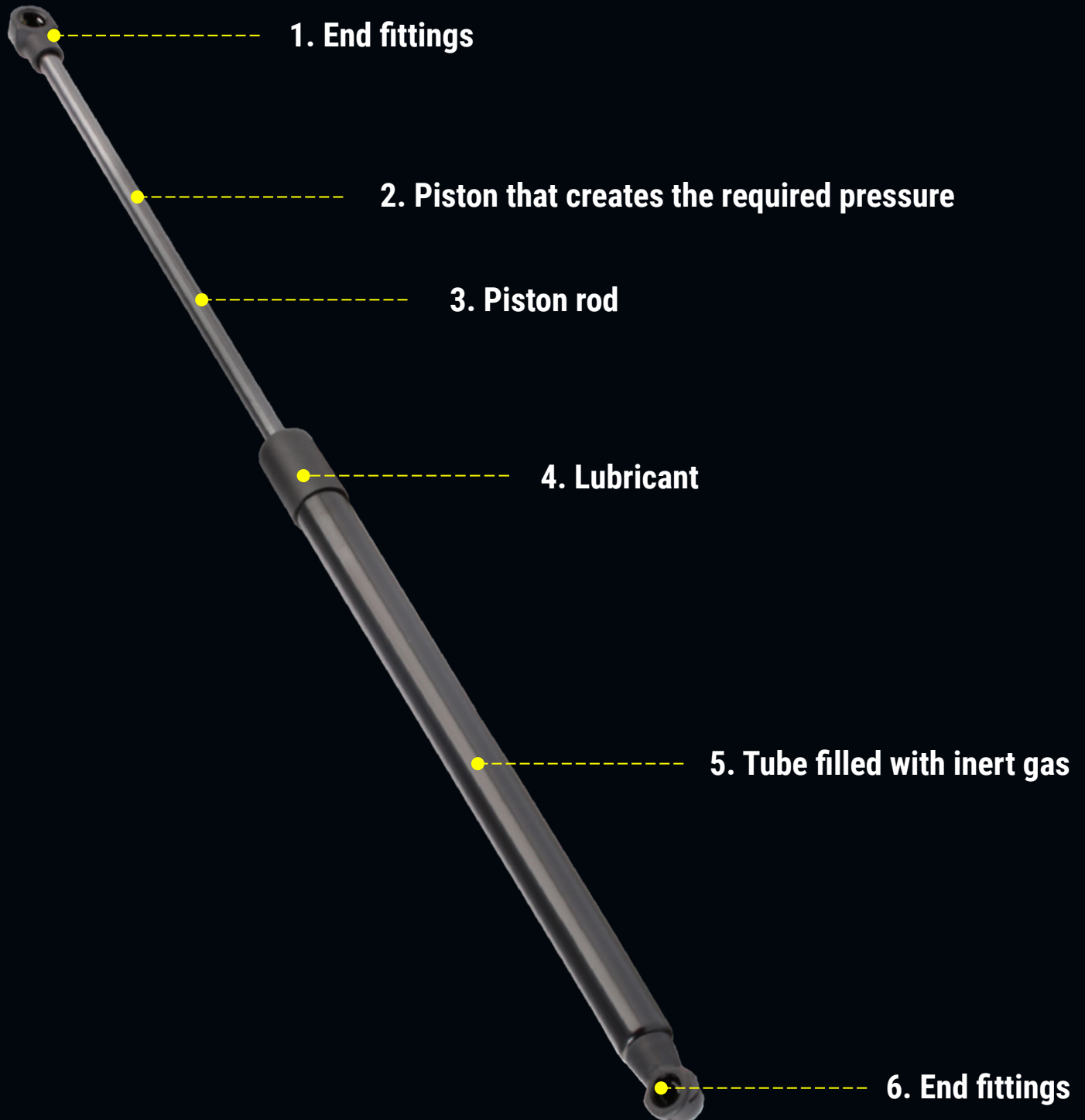
51 24 8 220 072 — BMW

PASSENGER CAR BRANDS

BMW

BONNET GAS SPRING

RIDEX bonnet gas struts allow the bonnet to be lifted quickly and locked in a raised position, making car maintenance much easier.



TOP SELLING SKUs



Article No. 514G0013

Gas Spring, bonnet
Left and right, Eject Force: 330N

OEM NUMBER COMPATIBILITY	PASSENGER CAR BRANDS
51 23 7 008 745 — BMW	ALPINA BMW



Article No. 514G0005

Gas Spring, bonnet
Right, Eject Force: 280N

OEM NUMBER COMPATIBILITY	PASSENGER CAR BRANDS
4B0 823 359 A — AUDI 4B0823359B — AUDI 4B0823359C — AUDI 4B3823359 — AUDI 3B0823359 — VW 3B0823359A — VW 3B0823359B — VW 3B0823359C — VW 3B0823359D — VW	AUDI VW



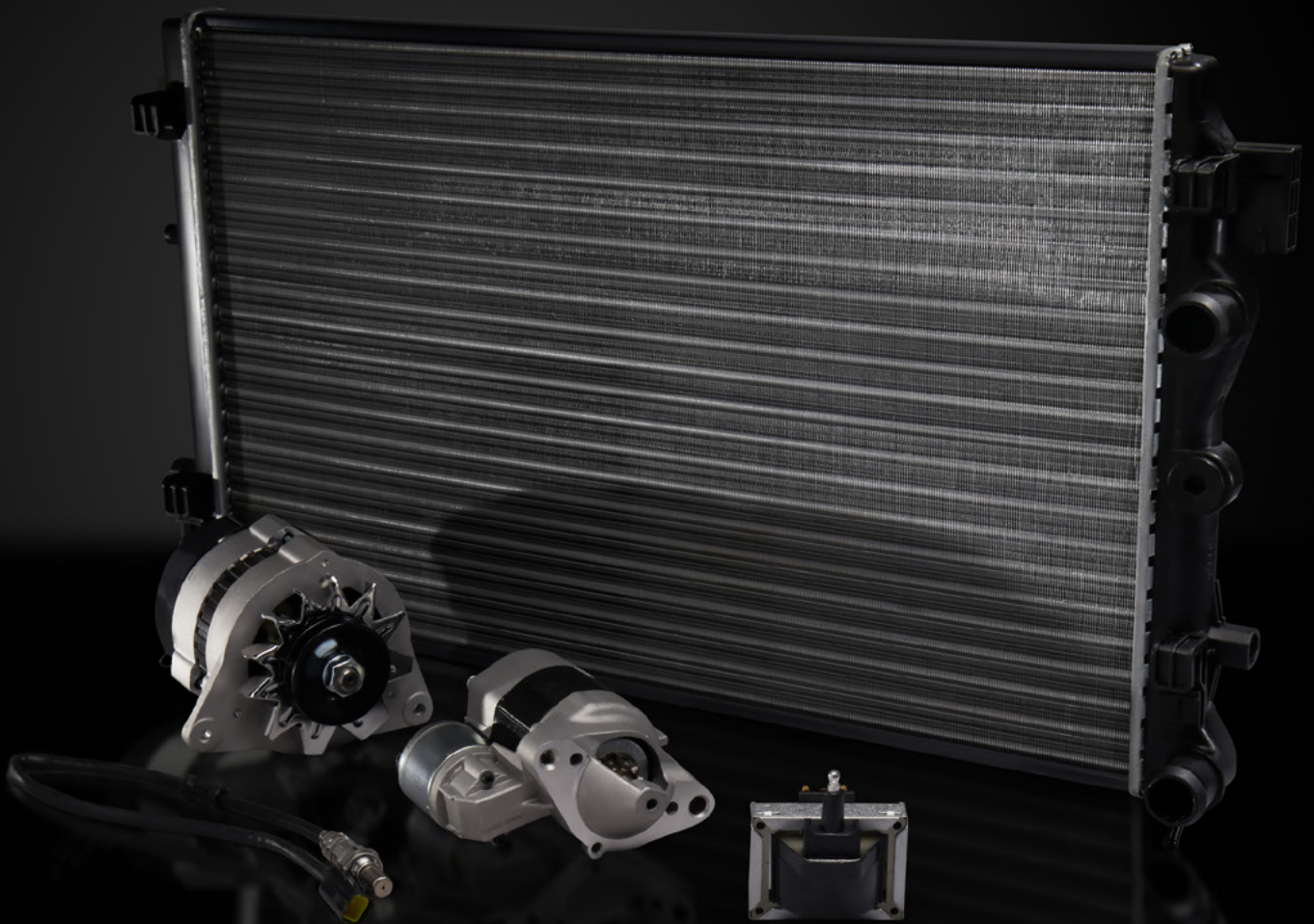
Article No. 514G0097

Gas Spring, bonnet
Eject Force: 300N

OEM NUMBER COMPATIBILITY	PASSENGER CAR BRANDS
5344069055 — TOYOTA 5344069065 — TOYOTA 5344069075 — TOYOTA 5345069055 — TOYOTA 5345069065 — TOYOTA 5345069075 — TOYOTA	TOYOTA

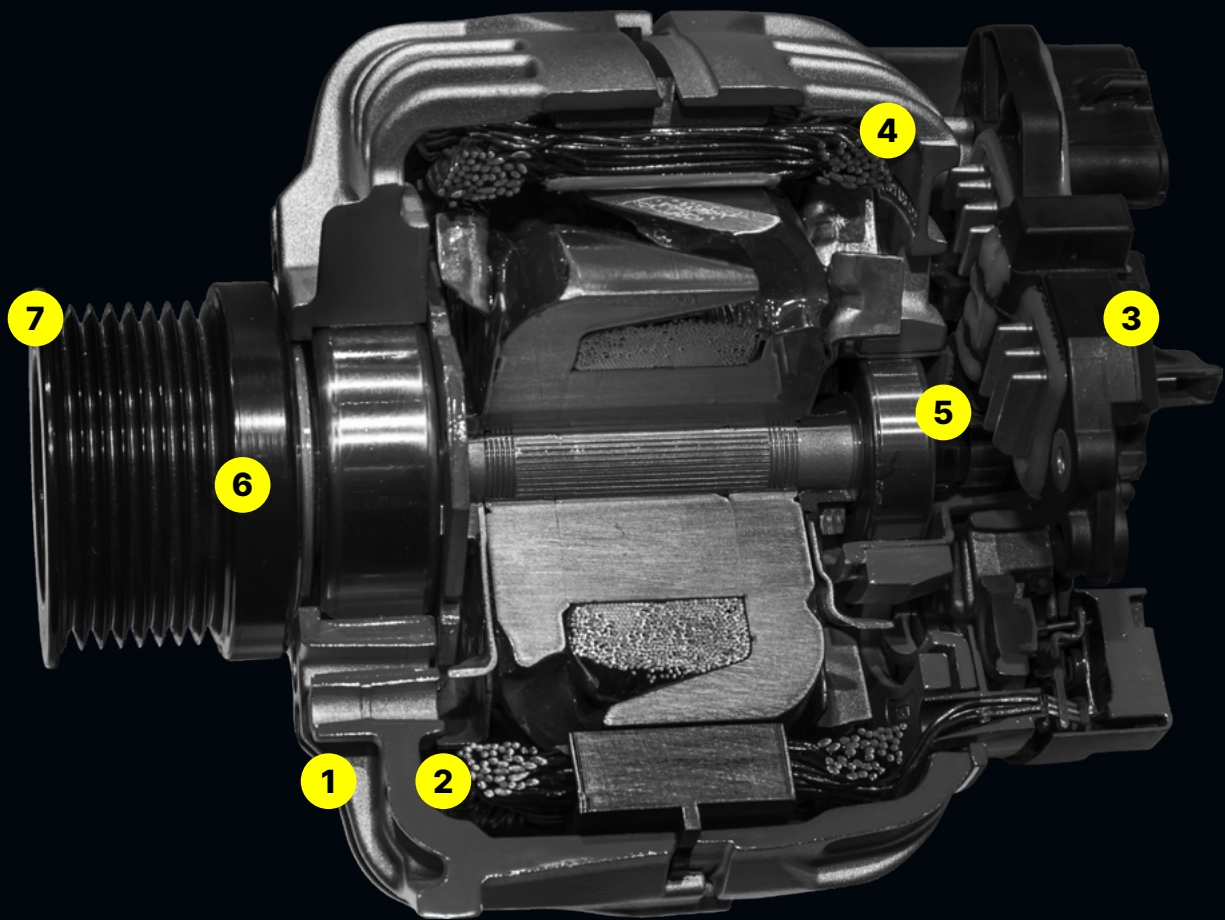
ENGINE

- Alternator
- Starter
- Engine Cooling Radiator
- Ignition Coil
- Lambda Sensor



ALTERNATOR

RIDEX alternators work reliably under any conditions. With one of our alternators, your car battery will retain its initial charge even in extreme operating conditions and your car's electric equipment will work flawlessly.



- 1. Front cover
- 2. Stator winding
- 3. Rear cover

- 4. Brush assembly
- 5. Slip rings

- 6. Bearing
- 7. Drive pulley

ADVANTAGES

- High efficiency guaranteed thanks to strict quality control of all stages of production and repeated testing in extreme load conditions
- Manufactured using modern technologies to combine small dimensions and low weight with high performance
- Long lifespan of up to 160,000 km. The alternator retains its initial characteristics throughout its entire lifetime
- Optimised stator and rotor sizes have a positive effect on performance
- Two blades integrated into the rotor reduce the noise level during operation
- The small pulley makes the rotor work faster

TYPES



With overrunning clutch



Without overrunning clutch

TOP SELLING SKUs



Article No. 4G0004

RIDEX Alternator
12V, 140A

OEM NUMBER COMPATIBILITY	PASSENGER CAR BRANDS
06F903023A - VW 06F903023C - VW 06F903023F - VW 06F903023H - VW 06F903023J - VW 07K903025A - VW	AUDI CITROËN MITSUBISHI OPEL SEAT SKODA VW



Article No. 4G0037

RIDEX Alternator
14V, 100A

OEM NUMBER COMPATIBILITY	PASSENGER CAR BRANDS
27060-0G011 - TOYOTA 27060-0R060 - TOYOTA 27060-0R070 - TOYOTA 27060-0R071 - TOYOTA	TOYOTA



Article No. 4G0066

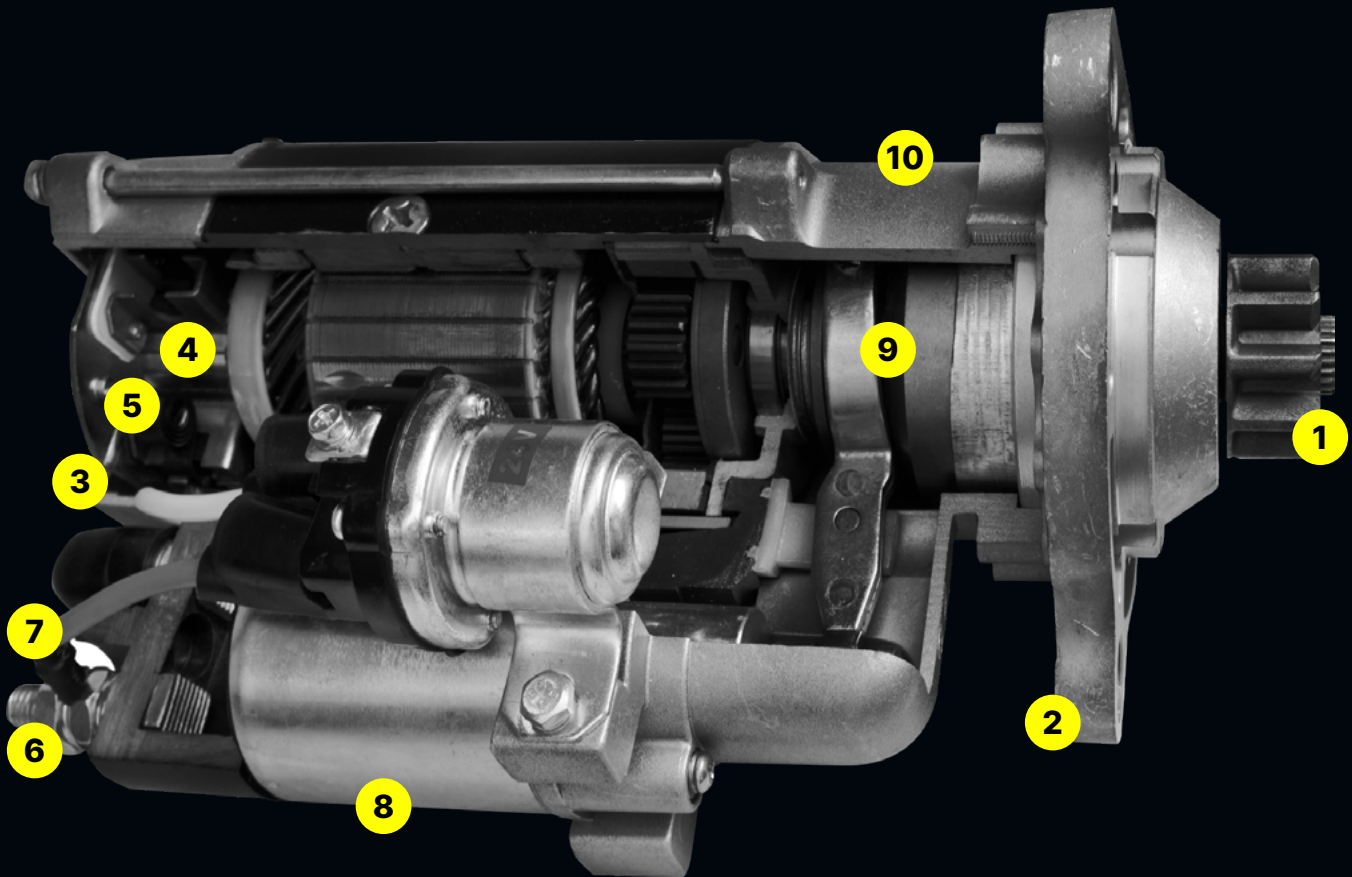
RIDEX Alternator
14V, 150A

OEM NUMBER COMPATIBILITY	PASSENGER CAR BRANDS
12 31 7 795 620 - ALPINA 12317790548 - BMW 12 31 7 795 620 - BMW 12317797519 - BMW 12317797520 - BMW 12317799180 - BMW 12317799181 - BMW 12317802471 - BMW 12317802927 — BMW 12318517262 — BMW 437538 — BMW 7799180 — BMW 7802471 — BMW 12317795620 — BMW (BRILLIANCE)	TOYOTA

STARTER

RIDEX starters are compact and powerful devices for starting the engine, even under extreme conditions.

They retain their initial performance characteristics throughout the working lifespan.



1. Pinion

2. Starter housing

3. Brush holder

4. Brush assembly

5. Brush spring

6. Contact bolt

7. Contacts

8. Starter solenoid

9. Planetary reduction gear

10. Front cover

TOP SELLING SKUs



Article No. 2S0019

Starter
12V, 1,1kW

OEM NUMBER COMPATIBILITY			PASSENGER CAR BRANDS
20911023F - AUDI	20911023FV - SEAT	20911023H - VAG	AUDI FORD SEAT SKODA VW
20911023FX - AUDI	20911023FX - SEAT	020911023F - VW	
20911023H - AUDI	020911023FV - SKODA	020911023FV - VW	
1072156 - FORD	20911023F - SKODA	020911023FX - VW	
7203209 - FORD	20911023FV - SKODA	020911023H - VW	
95VW11000BA - FORD	20911023FX - SKODA	020911023S - VW	
95VW11000BB - FORD	20911023H - SKODA	020911023T - VW	
95VW11000BC - FORD	020911023FX - VAG	20911023F - VW	
020911023FV - SEAT	20911023F - VAG	20911023FV - VW	
20911023F - SEAT	20911023FX - VAG	20911023FX - VW	



Article No. 2S0018

Starter
Teeth Quant.: 13, 1,4kW

OEM NUMBER COMPATIBILITY			PASSENGER CAR BRANDS
97 189 118 - CHEVROLET	8-97386-062-0 - ISUZU	93174034 - OPEL	CHEVROLET HONDA OPEL VAUXHALL
S 114-829 - HITACHI	8-98014-743-0 - ISUZU	9512659 - OPEL	
S 114-829 A - HITACHI	8-98014-743-1 - ISUZU	9562200 - OPEL	
S 114-829 B - HITACHI	8980147432 - ISUZU	97189118 - OPEL	
S 114-829 C - HITACHI	1202591 - OPEL	97386062 - OPEL	
S 114-829 D - HITACHI	6202000 - OPEL	98014743 - OPEL	
S 114-869 - HITACHI	6202043 - OPEL	R1540010 - OPEL	
S 114-925 - HITACHI	6202087 - OPEL	R1540027 - OPEL	
S 114-925 A - HITACHI	6202103 - OPEL	97189118 - VAUXHALL	
S114925B - HITACHI	8973860620 - OPEL	97386062 - VAUXHALL	
S114925C - HITACHI	93169014 - OPEL	98014743 - VAUXHALL	
31200-PLZ-D00 - HONDA	93169015 - OPEL	R1540010 - VAUXHALL	
8-97189-118-0 - ISUZU	93174028 - OPEL	R1540027 - VAUXHALL	
8-97189-118-1 - ISUZU			



Article No. 2S0063

Starter

Teeth Quant.: 11, 1,4kW

OEM NUMBER COMPATIBILITY		PASSENGER CAR BRANDS
5802 AZ — CITROËN	8-97386-062-0 - ISUZU	CITROËN DS FIAT PEUGEOT TOYOTA
5802 FG — CITROËN	8-98014-743-0 - ISUZU	
5802FH — CITROËN	8-98014-743-1 - ISUZU	
5802 FP — CITROËN	8980147432 - ISUZU	
5802 Y4 — CITROËN	1202591 - OPEL	
5802 Y5 — CITROËN	6202000 - OPEL	
5802 Y6 — CITROËN	6202043 - OPEL	
96 40 825 280 — CITROËN	6202087 - OPEL	
9637813680 — FIAT	6202103 - OPEL	
M 000 T 22472 — MITSUBISHI	8973860620 - OPEL	
M 000 T 93581 — MITSUBISHI	93169014 - OPEL	
M 0 T 22472 — MITSUBISHI	93169015 - OPEL	
M 0 T 93581 — MITSUBISHI	93174028 - OPEL	
MOT93582 — MITSUBISHI		



ENGINE COOLING RADIATOR

TOP SELLING SKUs



Article No. 470R0254

Radiator, engine cooling
Aluminium, Plastic, Manual- / optional automatic transmission

OEM NUMBER COMPATIBILITY			PASSENGER CAR BRANDS
52006124 — JEEP	52028120 — JEEP	52080183 — JEEP	JEEP
52006126 — JEEP	52028123AB — JEEP	52080183AC — JEEP	
52021120AB — JEEP	52029160AB — JEEP	52080183AF — JEEP	
52028112 — JEEP	52080180 — JEEP	55037653AA — JEEP	
52028112AB — JEEP	52080180AB — JEEP	55037657AA — JEEP	
52028114 — JEEP	52080181 — JEEP	5503768AA — JEEP	
52028114AB — JEEP			



Article No. 470R0517

Radiator, engine cooling
Manual- / optional automatic transmission

OEM NUMBER COMPATIBILITY		PASSENGER CAR BRANDS
0461500002 — MERCEDES-BENZ	A4635000200 — MERCEDES-BENZ	MERCEDES-BENZ PUCH
461500002 — MERCEDES-BENZ	A4635000400 — MERCEDES-BENZ	
4635000100 — MERCEDES-BENZ	A4635001100 — MERCEDES-BENZ	
4635000200 — MERCEDES-BENZ	A 463 500 12 00 — MERCEDES-BENZ	
4635000300 — MERCEDES-BENZ	A4635001201 — MERCEDES-BENZ	
4635000400 — MERCEDES-BENZ	4635000100 — PUCH	
4635000900 — MERCEDES-BENZ	4635000200 — PUCH	
4635001000 — MERCEDES-BENZ	4635000400 — PUCH	
463 500 11 00 — MERCEDES-BENZ	4635001100 — PUCH	
463 500 12 00 — MERCEDES-BENZ	4635001200 — PUCH	
4635001201 — MERCEDES-BENZ	4635001201 — PUCH	
A4635000100 — MERCEDES-BENZ		



Article No. 470R0003

Radiator, engine cooling
Aluminium, Plastic

OEM NUMBER COMPATIBILITY			PASSENGER CAR BRANDS
1330.40 — CITROËN	1333.14 — CITROËN	1330.H3 — PEUGEOT	ALPINE
1330.53 — CITROËN	133316 — CITROËN	1330.H4 — PEUGEOT	ARO
1330.65 — CITROËN	1333.18 — CITROËN	1330H5 — PEUGEOT	CHEVROLET
1330.69 — CITROËN	133319 — CITROËN	1330.H6 — PEUGEOT	CITROËN
1330.74 — CITROËN	1333.25 — CITROËN	1330.J3 — PEUGEOT	DAEWOO
1330.75 — CITROËN	1333.28 — CITROËN	1330.N5 — PEUGEOT	DAF
1330.82 — CITROËN	133334 — CITROËN	1330.N7 — PEUGEOT	DAIHATSU
1330.83 — CITROËN	133351 — CITROËN	1330N9 — PEUGEOT	DS
1330.84 — CITROËN	133355 — CITROËN	1330Q1 — PEUGEOT	FIAT
133086 — CITROËN	133373 — CITROËN	1330R4 — PEUGEOT	FSO
1330.A1 — CITROËN	133384 — CITROËN	1330S6 — PEUGEOT	HYUNDAI
1330.B0 — CITROËN	133385 — CITROËN	1330S7 — PEUGEOT	LADA
1330.B1 — CITROËN	1333A5 — CITROËN	1330T5 — PEUGEOT	LANCIA
1330B3 — CITROËN	1333.A6 — CITROËN	1330T6 — PEUGEOT	LDV
1330.B5 — CITROËN	1610008180 — CITROËN	1330.V5 — PEUGEOT	MAHINDRA
1330C4 — CITROËN	1610008280 — CITROËN	1330X7 — PEUGEOT	MEGA
1330.C5 — CITROËN	9632198080 — CITROËN	1330Y2 — PEUGEOT	NISSAN
1330C6 — CITROËN	9637040680 — CITROËN	1330.Y3 — PEUGEOT	OPEL
1330.E8 — CITROËN	9647421380 — CITROËN	1330.Y6 — PEUGEOT	PEUGEOT
1330F3 — CITROËN	9647510780 — CITROËN	1330.YE — PEUGEOT	PIAGGIO
1330.F4 — CITROËN	9674089580 — CITROËN	1331CZ — PEUGEOT	RENAULT
1330F6 — CITROËN	E101J03 — CITROËN	1331.KC — PEUGEOT	ROVER
1330.F8 — CITROËN	96321980 — CITROËN	1331.KE — PEUGEOT	SUZUKI
1330.G0 — CITROËN	1130.J3 — PEUGEOT	1331LS — PEUGEOT	TALBOT
1330.G1 — CITROËN	132322 — PEUGEOT	1331.X8 — PEUGEOT	TATA (TELCO)
1330.G2 — CITROËN	1330.38 — PEUGEOT	1331.Y5 — PEUGEOT	TOYOTA
1330.G3 — CITROËN	1330.40 — PEUGEOT	1333.07 — PEUGEOT	UMM
1330G4 — CITROËN	1330.53 — PEUGEOT	1333.11 — PEUGEOT	VAUXHALL
1330.G5 — CITROËN	1330.65 — PEUGEOT	133313 — PEUGEOT	VOLVO
1330.H3 — CITROËN	1330.69 — PEUGEOT	1333.14 — PEUGEOT	
1330.H4 — CITROËN	1330.74 — PEUGEOT	1333.15 — PEUGEOT	
1330H5 — CITROËN	1330.75 — PEUGEOT	133316 — PEUGEOT	
1330.H6 — CITROËN	1330.82 — PEUGEOT	1333.18 — PEUGEOT	
1330.J3 — CITROËN	1330.83 — PEUGEOT	133319 — PEUGEOT	
1330.N5 — CITROËN	1330.84 — PEUGEOT	133320 — PEUGEOT	
1330.N7 — CITROËN	133085 — PEUGEOT	1333.25 — PEUGEOT	
1330N9 — CITROËN	133086 — PEUGEOT	133327 — PEUGEOT	
1330R4 — CITROËN	1330.A1 — PEUGEOT	1333.28 — PEUGEOT	
1330S6 — CITROËN	1330.B0 — PEUGEOT	133351 — PEUGEOT	
1330S7 — CITROËN	1330.B1 — PEUGEOT	133355 — PEUGEOT	
1330T5 — CITROËN	1330B3 — PEUGEOT	133373 — PEUGEOT	
1330T6 — CITROËN	1330.B5 — PEUGEOT	133384 — PEUGEOT	
1330.V5 — CITROËN	1330C4 — PEUGEOT	133385 — PEUGEOT	
1330X7 — CITROËN	1330.C5 — PEUGEOT	1333A5 — PEUGEOT	
1330Y2 — CITROËN	1330C6 — PEUGEOT	1333.A6 — PEUGEOT	
1330.Y3 — CITROËN	1330.E8 — PEUGEOT	1333S1 — PEUGEOT	
1330.Y6 — CITROËN	1330F3 — PEUGEOT	1610008180 — PEUGEOT	
1330.YE — CITROËN	1330.G5 — PEUGEOT		

IGNITION COIL

RIDEX ignition coils ensure stable transformation of low voltage into high voltage, and consequently, continuous spark generation under all conditions. They contribute to fuel efficiency and reduce harmful emissions into the atmosphere.

ADVANTAGES:

- Reliable performance throughout the lifespan of up to 110,000 km
- Can tolerate extreme vibrations
- Resistant to impacts of oil, fuel, and other liquids
- High dielectric strength
- Function effectively when starting the engine in cold weather
- Metal elements are well-protected against corrosion
- Windings made of high-quality tear-resistant copper wire
- Spark energy of up to 90 mJ
- Operating temperature range from -40°C to $+160^{\circ}\text{C}$

TYPES:



IGNITION COIL FOR VEHICLES WITH DISTRIBUTOR

Supply voltage to all spark plugs.



PENCIL TYPE IGNITION COILS

Connected directly to one spark plug



DOUBLE-SPARK IGNITION COILS

Supply voltage to two spark plugs simultaneously and are only used for engines with even numbers of cylinders

TOP SELLING SKUs



Article No. 689C0101

Ignition Coil

OEM NUMBER COMPATIBILITY		PASSENGER CAR BRANDS
090543253 — GENERAL MOTORS 90543253 — GENERAL MOTORS 90560110 — GENERAL MOTORS 01 208 012 — OPEL 090 543 253 — OPEL	090 560 110 — OPEL 12 08 012 — OPEL 90 543 253 — OPEL 90 560 110 — OPEL CL214 — TESLA	OPEL VAUXHALL



Article No. 689C0014

Ignition Coil

OEM NUMBER COMPATIBILITY			PASSENGER CAR BRANDS
032 905 106 — AUDI 032 905 106 B — AUDI 032 905 106 E — AUDI 032 905 106 — SEAT 032 905 106 B — SEAT	032 905 106 E — SEAT 032 905 106 — SKODA 032 905 106 B — SKODA 032 905 106 E — SKODA 030 905 106 — VW	032 905 106 — VW 032 905 106 B — VW 032 905 106 D — VW 032 905 106 E — VW	AUDI SEAT SKODA VW



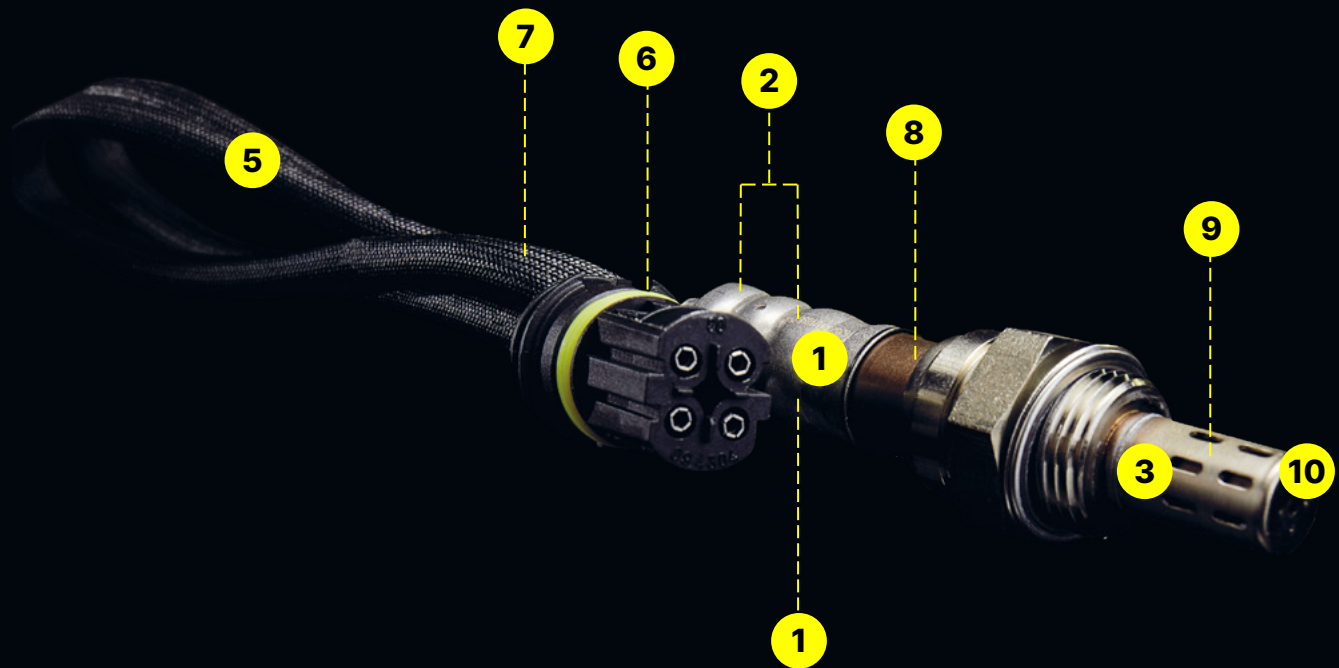
Article No. 689C0228

Ignition Coil

OEM NUMBER COMPATIBILITY		PASSENGER CAR BRANDS
90532618 — GENERAL MOTORS 90543059 — GENERAL MOTORS 93180806 — GENERAL MOTORS	1208028 — OPEL 1208306 — OPEL 24420622 — OPEL	OPEL VAUXHALL

LAMBDA SENSOR

RIDEX lambda sensors allow accurate measurement of the amount of oxygen in the exhaust gases to ensure an optimum air-fuel ratio, which helps maintain high fuel efficiency and reduced emissions. They are manufactured at a modern factory using state-of-the-art technology. The RIDEX product range covers most car makes.



1. Metal body with a hex

2. Gasket

**3. External electrode
(in contact with exhaust gases)**

4. Contact element

5. Insulator

6. Earth cable

7. Wire leads

**8. Heater element with a contact
element – for heated lambda sensors**

9. Ceramic sensing element

10. Protective tube



Article No. 3922L0038

Lambda Sensor

OEM NUMBER COMPATIBILITY

PASSENGER CAR BRANDS

- | | | |
|-------------------------|-------------------------|-------------------------|
| 1618Z7 — CITROËN | 1628HN — CITROËN | 1618AN — PEUGEOT |
| 1628.7S — CITROËN | 1628HR — CITROËN | 1618E6 — PEUGEOT |
| 1628.9V — CITROËN | 1628KY — CITROËN | 1618HC — PEUGEOT |
| 1618AN — CITROËN | 467780 — CITROËN | 1618Z6 — PEUGEOT |
| 1618E6 — CITROËN | 96229974 — CITROËN | 1618Z7 — PEUGEOT |
| 1618HC — CITROËN | 96229975 — CITROËN | 1628.70 — PEUGEOT |
| 1618Z6 — CITROËN | 96229997 — CITROËN | 1628.7S — PEUGEOT |
| 9636876580 — ALFA ROMEO | 96359782 — CITROËN | 1628.9V — PEUGEOT |
| S211205310 — CHERY | 9635978280 — CITROËN | 1628.AA — PEUGEOT |
| 161848 — CITROËN | 96359785 — CITROËN | 1628CW — PEUGEOT |
| 161849 — CITROËN | 9635978580 — CITROËN | 1628HN — PEUGEOT |
| 96359782 — ALFA ROMEO | 96368765 — CITROËN | 1628HR — PEUGEOT |
| 9635978280 — ALFA ROMEO | 9636876580 — CITROËN | 1628.KN — PEUGEOT |
| 963597858 — ALFA ROMEO | 96444911 — CITROËN | 1628KN — PEUGEOT |
| 9635978580 — ALFA ROMEO | 9644491180 — CITROËN | 1628KY — PEUGEOT |
| 1628.AA — CITROËN | 96444912 — CITROËN | 1628.NY — PEUGEOT |
| 1628CW — CITROËN | 9644491280 — CITROËN | 467780 — PEUGEOT |
| 1628HN — CITROËN | 96506821 — CITROËN | 96229974 — PEUGEOT |
| 1628HR — CITROËN | 9650682180 — CITROËN | 96229975 — PEUGEOT |
| 1628.KN — CITROËN | 96651040 — CITROËN | 96229997 — PEUGEOT |
| 1628KY — CITROËN | 9665104080 — CITROËN | 96359782 — PEUGEOT |
| 1628.NY — CITROËN | 96359782 — FIAT | 9635978280 — PEUGEOT |
| 467780 — CITROËN | 9635978280 — FIAT | 96359785 — PEUGEOT |
| 96229974 — CITROËN | 963597858 — FIAT | 9635978580 — PEUGEOT |
| 96229975 — CITROËN | 9635978580 — FIAT | 96368765 — PEUGEOT |
| 96229997 — CITROËN | 9636876580 — FIAT | 9636876580 — PEUGEOT |
| 96359782 — CITROËN | 55353148 — | 96444911 — PEUGEOT |
| 9635978280 — CITROËN | GENERAL MOTORS | 9644491180 — PEUGEOT |
| 96359785 — CITROËN | 55354593 — | 96444912 — PEUGEOT |
| 9635978580 — CITROËN | GENERAL MOTORS | 9644491280 — PEUGEOT |
| 96368765 — CITROËN | 93180669 — | 96506821 — PEUGEOT |
| 9636876580 — CITROËN | GENERAL MOTORS | 9650682180 — PEUGEOT |
| 96444911 — CITROËN | 0258006937 — GREAT WALL | 9663278880 — PEUGEOT |
| 9644491180 — CITROËN | K914567318A — | 96651040 — PEUGEOT |
| 96444912 — CITROËN | IRAN KHODRO (IKCO) | 9665104080 — PEUGEOT |
| 9644491280 — CITROËN | M13GB18861 — KIA | 96 782 679 — PEUGEOT |
| 96506821 — CITROËN | 96359782 — LANCIA | 96 782 679 80 — PEUGEOT |
| 9650682180 — CITROËN | 9635978280 — LANCIA | B258040914 — PEUGEOT |
| 96651040 — CITROËN | 963597858 — LANCIA | 99660611601 — PORSCHE |
| 9665104080 — CITROËN | 9635978580 — LANCIA | 99660616800 — PORSCHE |
| 96 782 679 — CITROËN | 9636876580 — LANCIA | 99660616801 — PORSCHE |
| 96 782 679 80 — CITROËN | 055354593 — OPEL | 99660617800 — PORSCHE |
| 161848 — CITROËN | 0855408 — OPEL | 99660617801 — PORSCHE |
| 161849 — CITROËN | 093180669 — OPEL | 9635978280 — RENAULT |
| 1618AN — CITROËN | 55354593 — OPEL | 9635978580 — RENAULT |
| 1618E6 — CITROËN | 855408 — OPEL | 55353148 — SAAB |
| 1618HC — CITROËN | 93180669 — OPEL | 30637016 — VOLVO |
| 1618Z7 — CITROËN | 161848 — PEUGEOT | 30637520 — VOLVO |
| 1628CW — CITROËN | 161849 — PEUGEOT | 8631668 — VOLVO |
| | | 9458189 — VOLVO |

- CHERY
CITROËN
DR
DS
FIAT
LANCIA
OPEL
PEUGEOT
PORSCHE
RENAULT
SAAB
VAUXHALL
VOLVO

TOP SELLING SKUs



Article No. 3922L0229

Lambda Sensor

PASSENGER CAR BRANDS

ALFA ROMEO	CHRYSLER	FORD	LADA	OPEL	SEAT
ALPINA	CITROËN	FORD USA	LANCIA	PEUGEOT	SKODA
AUDI	DACIA	HONDA	LAND ROVER	PORSCHE	SMART
BENTLEY	DAEWOO	HUMMER	LEXUS	PROTON	SUBARU
BMW	DAIHATSU	HYUNDAI	MAYBACH	PUCH	SUZUKI
BUICK	DODGE	INFINITI	MAZDA	RENAULT	TOYOTA
CADILLAC	DS	JAGUAR	MERCEDES-BENZ	ROLLS-ROYCE	VAUXHALL
CHERY	FERRARI	JEEP	MITSUBISHI	ROVER	VOLVO
CHEVROLET	FIAT	KIA	NISSAN	SAAB	VW



Article No. 3922L0225

Lambda Sensor

PASSENGER CAR BRANDS

ALFA ROMEO	CHRYSLER	FORD	LADA	OPEL	SEAT
ALPINA	CITROËN	FORD USA	LANCIA	PEUGEOT	SKODA
AUDI	DACIA	HONDA	LAND ROVER	PORSCHE	SMART
BENTLEY	DAEWOO	HUMMER	LEXUS	PROTON	SUBARU
BMW	DAIHATSU	HYUNDAI	MAYBACH	PUCH	SUZUKI
BUICK	DODGE	INFINITI	MAZDA	RENAULT	TOYOTA
CADILLAC	DS	JAGUAR	MERCEDES-BENZ	ROLLS-ROYCE	VAUXHALL
CHERY	FERRARI	JEEP	MITSUBISHI	ROVER	VOLVO
CHEVROLET	FIAT	KIA	NISSAN	SAAB	VW

HVAC SYSTEM

- Air Conditioning Compressor



AIR CONDITIONING COMPRESSOR

RIDEX AC compressors have the exact same design and technical specifications as the original components.

They are the optimal choice for the ventilation, heating, and air-conditioning system due to their high quality and affordable price.

These compressors are characterised by efficiency and high performance.

ADVANTAGES:

- Reduced power and thus fuel consumption
- Reliable sealing elements, resistant to aggressive chemical substances
- High-quality lubricating materials that retain their original properties even at very high temperatures
- Leak-tightness throughout the entire service life
- Long lifespan due to special coating of the piston rod and improved design of the key components: pulley, clutch hub, bearing, and swash plate
- Silent operation thanks to the balanced construction and optimised lubricant supply system
- Pre-filled with oil for easy installation

TOP SELLING SKUs



Article No. 447K0062

Compressor, air conditioning
PAG 46, Refrigerant: R 134a

OEM NUMBER COMPATIBILITY		PASSENGER CAR BRANDS
6453.QJ — CITROËN	6453.QJ — PEUGEOT	CITROËN PEUGEO
6453.QK — CITROËN	6453.QK — PEUGEOT	
6453.WK — CITROËN	6453.WK — PEUGEOT	
6453.WL — CITROËN	6453.WL — PEUGEOT	
6453.ZZ — CITROËN	6453.ZZ — PEUGEOT	
6487.08 — CITROËN	6487.08 — PEUGEOT	
96.519.109.80 — CITROËN	96.519.109.80 — PEUGEOT	
96.598.757.80 — CITROËN	96.598.757.80 — PEUGEOT	
96.703.188.80 — CITROËN	96.703.188.80 — PEUGEOT	
96.712.162.80 — CITROËN	96.712.162.80 — PEUGEOT	
96.780.389.80 — CITROËN	96.780.389.80 — PEUGEOT	
96.786.560.80 — CITROËN	96.786.560.80 — PEUGEOT	



Article No. 447K0074

Compressor, air conditioning
PAG 46, Refrigerant: R 134a

OEM NUMBER COMPATIBILITY	PASSENGER CAR BRANDS
070903201E — VW	VW
070903327D — VW	
3D0820805B — VW	
7H0820805 — VW	
7H0820805A — VW	
7H0820805B — VW	
7H0820805C — VW	
7H0820805E — VW	
7H0820805F — VW	
7H0820805G — VW	
7H0820805H — VW	
7H0820805J — VW	



Article No. 447K0079

Compressor, air conditioning
PAG 46, Refrigerant: R 134a

OEM NUMBER COMPATIBILITY			PASSENGER CAR BRANDS
4E0.260.805 J — AUDI	8E0260805CA — AUDI	4F0.260.805 S — SEAT	AUDI
4F0260805AC — AUDI	8E0 260 805 CB — AUDI	4G0260805D — SEAT	
4F0260805AG — AUDI	8E0260805CD — AUDI	8E0260805AG — SEAT	
4F0260805AN — AUDI	8K0260805E — AUDI	8E0260805AT — SEAT	
4F0.260.805 G — AUDI	8K0260805F — AUDI	8E0260805BA — SEAT	
4F0.260.805 I — AUDI	8K0260805L — AUDI	8E0260805BE — SEAT	
4F0.260.805 J — AUDI	8K0260805M — AUDI	8E0260805BF — SEAT	
4F0.260.805 M — AUDI	8K0260805P — AUDI	8E0260805BJ — SEAT	
4F0260805N — AUDI	8KD260805 — AUDI	8E0260805BL — SEAT	
4F0260805P — AUDI	21000029 — FORCE	8E0260805BP — SEAT	
4F0.260.805 S — AUDI	4E0.260.805 J — SEAT	8E0260805BS — SEAT	
4G0260805D — AUDI	4F0260805AC — SEAT	8E0260805CA — SEAT	
8E0260805AG — AUDI	4F0260805AG — SEAT	8E0 260 805 CB — SEAT	
8E0260805AT — AUDI	4F0260805AN — SEAT	8E0260805CD — SEAT	
8E0260805BA — AUDI	4F0.260.805 G — SEAT	8K0260805E — SEAT	
8E0260805BE — AUDI	4F0.260.805 I — SEAT	8K0260805F — SEAT	
8E0260805BF — AUDI	4F0.260.805 J — SEAT	8K0260805L — SEAT	
8E0260805BJ — AUDI	4F0.260.805 M — SEAT	8K0260805M — SEAT	
8E0260805BL — AUDI	4F0260805N — SEAT	8K0260805P — SEAT	
8E0260805BP — AUDI	4F0260805P — SEAT	8KD260805 — SEAT	
8E0260805BS — AUDI			

STEERING

- Hydraulic Pump
- Tie Rod End



HYDRAULIC PUMP

TOP SELLING SKUs



Article No. 12H0052

Hydraulic Pump

OEM NUMBER COMPATIBILITY			PASSENGER CAR BRANDS
49110-00Q1A — NISSAN	49110-0915R — OPEL	8200 024 778 — RENAULT	NISSAN OPEL RENAULT
49110-00Q1E — NISSAN	5948064 — OPEL	8200 193 992 — RENAULT	
49110-1050R — NISSAN	93861732 — OPEL	8200 712 890 — RENAULT	
4402668 — OPEL	49110-0246R — RENAULT	8200 763 524 — RENAULT	
4405479 — OPEL	7700 875 707 — RENAULT	8200 838 037 — RENAULT	
4414166 — OPEL	8200 024 738 — RENAULT	8201 183 788 — RENAULT	



Article No. 12H0003

Hydraulic Pump

OEM NUMBER COMPATIBILITY			PASSENGER CAR BRANDS
8D0145145L — AUDI	8D0 145 156 KX — AUDI	8D0145177D — AUDI	AUDI SKODA VW
8D0145155Q — AUDI	8D0145156L — AUDI	8D0145155 — AUDI	
8D0145155QX — AUDI	8D0145156LT — AUDI	058145255E — VW	
8D0145155X — AUDI	8D0145156T — AUDI	8D0 145 156 KV — VW	
8D0145156K — AUDI	8D0145156TX — AUDI	8D0 145 156 KX — VW	
8D0 145 156KV — AUDI			



Article No. 12H0063

Hydraulic Pump

OEM NUMBER COMPATIBILITY			PASSENGER CAR BRANDS
1469028 — FORD	6G91-3A696-NB — FORD	3600068-9 — VOLVO	AUDI SKODA VW
1506272 — FORD	31200569 — VOLVO	3600079-0 — VOLVO	
6G91-3A696-NA — FORD	31280320 — VOLVO	36002445 — VOLVO	

TIE ROD ENDS

RIDEX tie rod ends improve the handling of the vehicle and can withstand high loads. They perform flawlessly throughout their entire lifespan, regardless of road surface quality and driving style.



1. Housing

2. Threaded ball stud

3. Securing bearing

4. Housing cap

5. Neoprene dust boot to prevent the ball stud from contamination

6. Boot retaining ring

7. Springing element

8. Nut

9. Threaded part of the ball stud



Article No. 914T0003

Tie Rod End
Front Axle

OEM NUMBER COMPATIBILITY			PASSENGER CAR BRANDS
4B0 419 811 B — AUDI	4D0 419 801 G — SEAT	8E1 422 065 G — SKODA	AUDI SKODA VW
4B1 422 065 T — AUDI	8D0 498 998 A — SEAT	8E2 422 066 D — SKODA	
4B1 422 066 N — AUDI	8D1 422 072 — SEAT	8H1 422 065 — SKODA	
4B2 422 066 F — AUDI	8D2 422 071 P — SEAT	4B0 419 811 — VW	
4D0 419 801 G — AUDI	8E0 419 821 — SEAT	4B1 422 065 T — VW	
4D0 419 811 A — AUDI	8E1 422 065 G — SEAT	4B1 422 066 N — VW	
8D0 498 998 A — AUDI	8E2 422 066 D — SEAT	4B2 422 066 F — VW	
8D1 422 072 — AUDI	8H1 422 065 — SEAT	4D0 419 801 G — VW	
8D2 422 071 P — AUDI	4B0 419 811 B — SKODA	4D0 419 811 A — VW	
8E0 419 811 B — AUDI	4B1 422 065 T — SKODA	8D0 498 998 A — VW	
8E0 419 821 — AUDI	4B1 422 066 N — SKODA	8D1 422 072 — VW	
8E1 422 065 G — AUDI	4B2 422 066 F — SKODA	8D2 422 071 P — VW	
8E2 422 066 D — AUDI	4D0 419 801 G — SKODA	8E0 419 811 B — VW	
8H1 422 065 — AUDI	4D0 419 811 A — SKODA	8E0 419 821 — VW	
8E0 419 811 B — AUDI(FAW)	8D0 498 998 A — SKODA	8E1 422 065 G — VW	
4B0 419 811 D — SEAT	8D1 422 072 — SKODA	8E2 422 066 D — VW	
4B1 422 065 T — SEAT	8D2 422 071 P — SKODA	8H1 422 065 — VW	
4B1 422 066 N — SEAT	8E0 419 811 B — SKODA	4B0 419 811 E — VW (SVW)	
4B2 422 066 F — SEAT	8E0 419 821 — SKODA	8E0 419 811 B — VW (SVW)	



Article No. 914T0006

Tie Rod End
Outer, Right, Front Axle

OEM NUMBER COMPATIBILITY			PASSENGER CAR BRANDS
7701047416 — DACIA	7701047416 — RENAULT	7701474642 — RENAULT	NISSAN RENAULT
4852000QAP — NISSAN	7701047813 — RENAULT	7701475843 — RENAULT	
48520AX602 — NISSAN	7701474493 — RENAULT		



Article No. 914T0019

Tie Rod End
Right, Front Axle

OEM NUMBER COMPATIBILITY		PASSENGER CAR BRANDS
77 01 054 584 — RENAULT	77 01 474 796 — RENAULT	RENAULT

Fast track for becoming a dealer. We offer a professional RIDEX website, quick search engine, convenient catalogue, 50,000+ SKUs in stock, delivery to any part of the world*, secure payment, a personal account manager, and dedicated customer support to make your business with us smooth and simple.

CREATE YOUR **SUCCESS STORY** WITH RIDEX

- 1** Submit a request. An account manager will contact you via your preferred communication channel.
- 2** Consult your personal account manager. Your account manager will answer your questions and will give you a quote for the products in your list or select an assortment to suit your requirements.
- 3** Make a good deal. We'll offer you the best price for the spare parts you need and calculate the cost and delivery time to your country.



Scan the QR code and fill in the **BECOME A DEALER** form, or send your request to us at sales@ridex.de

ALWAYS ONLINE

UNLOCK YOUR SALES POTENTIAL

Over 5 million loyal customers across 27 European countries and 80 around the world already enjoy wide assortment and rapid service of our brand.

YOUR ADVANTAGES AS A DEALER

- Over 450 Categories and 40 000 items available in stock
- Guaranteed quality for all RIDEX autoparts and accessories

OUR **ADVANTAGES**

- Website with great cataloguing and fast ordering
- Personal customer support
- 1-3 business day delivery to Germany
- 3-5 business day delivery to other EU countries
- Wide range of reliable products
- Flexible financial conditions for each partner

*For further information, please contact us via the request form or ask your personal account manager.

RIDEX GmbH
Josef-Orlopp-Strasse 55
10365 Berlin, Germany
www.ridex.eu
sales@ridex.de